

FB6P70 / SHALLOW FLOOR BOX WITH REBATED POLYMIDE LID



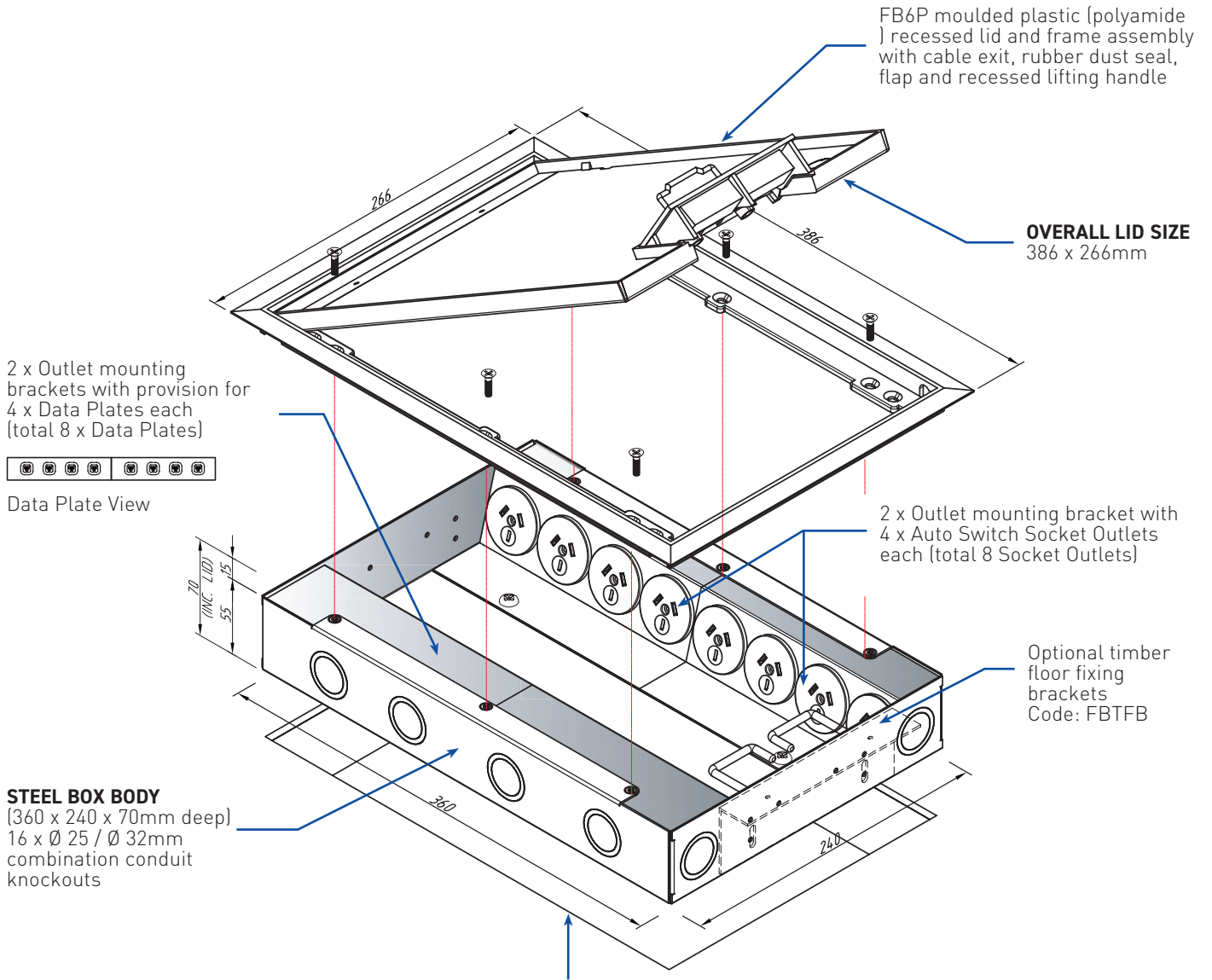
FEATURES

- Robust large capacity shallow floor box with reversible low profile lid
- Large capacity cable exit flap with retracting handle
- Modular box body and lid design, interchangeable with stainless and other lids in the floor box range

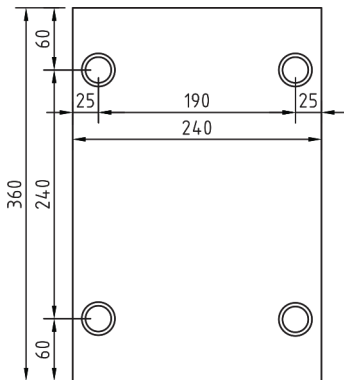
FB6P70

Capacity (Power)	8 x Auto Switched Socket Outlets
Capacity (Data)	8 x Data Mounts
Box Size (L x W x D)	360 x 240 x 70mm
Box Material	Powder Coated Steel
Lid Size (L x W)	386 x 266mm
Lid Finish	Grey
Lid Material	Polymide
Lid Style	Surface, Beveled Edge, Rebated (7mm)

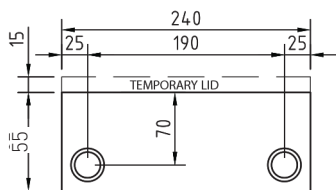
FB6P70 / SHALLOW FLOOR BOX WITH REBATED POLYIMIDE LID



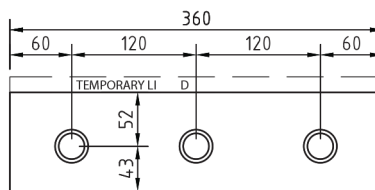
NOMINAL RECESS SIZE
370 x 250 x 80mm deep for timber floor or
400 x 300 x 80mm foam blockout for concrete



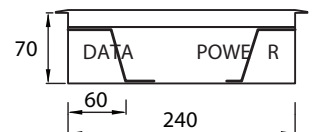
Conduit Location
Box Base



Conduit Location
Hinge & Exit Sides



Conduit Location
Outlet Sides



Section Through
Box View