

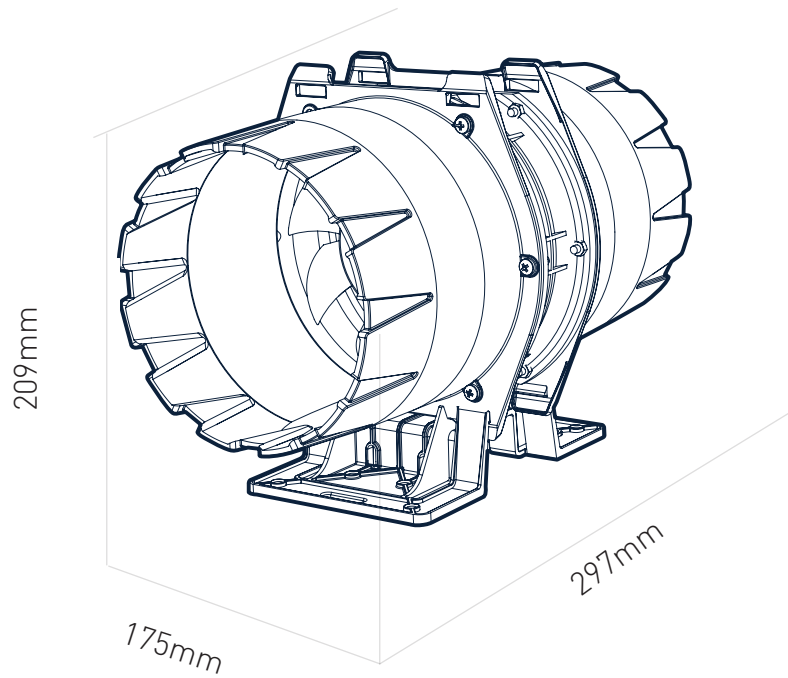
VAF16

Axial In-line 150mm Fan


PRODUCT SPECIFICATION

Colour	Blue
Duct Size	150mm
Body Material	PBT
Fan Blade Material	PBT
Fan Type	Axial
Motor Type	EC Motor
Rotation Direction	CCW
Rated Voltage	230-240V
Rated Current	0.16A
Rated Input Power	20 Watt
Rated Speed	2700RPM
Airflow l/s (litres per second)	114L/s
Airflow m3/hr (cubic metres per hr)	410m3/hr
Maximum Air Pressure	125Pa
Operating Temperature	-10° to +70°
Environment Humidity	15% to 90% (RH)
MTBF (Mean Time Between Failures)	50000hrs
Temperature Protection	Yes
IP Rating	IP44
Climate Class	T
Sound level @ 3M	49.9dB
Warranty	5 year
Certificates & Approvals	AS/NZS 60335.2.80:2016

DIMENSIONAL DIAGRAM



FAN PRESSURE CURVE

