



DE NIRO

MODULAR LED DOWNLIGHT RANGE



PRODUCT SPECIFICATION

CODE	TYPICAL POWER (W)	TOTAL POWER (W)	LUMENS OUTPUT (lm)	COLOUR TEMPERATURE	EFFICACY (LM/W)	COLOUR
NC3	8	9	700	3000	87.5	WHITE
NC4	8	9	730	4000	91.25	WHITE
NC3S	8	9	700	3000	87.5	SILVER
NC4S	8	9	730	4000	91.25	SILVER
NC3B	8	9	700	3000	87.5	BLACK
NC4B	8	9	730	4000	91.25	BLACK



NR3	8	9	700	3000	87.5	WHITE
NR4	8	9	730	4000	91.25	WHITE
NR3S	8	9	700	3000	87.5	SILVER
NR4S	8	9	730	4000	91.25	SILVER
NR3B	8	9	700	3000	87.5	BLACK
NR4B	8	9	730	4000	91.25	BLACK

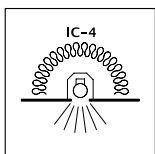


NSQ3	8	9	700	3000	87.5	WHITE
NSQ4	8	9	730	3000	91.25	WHITE
NSQ3S	8	9	700	4000	87.5	SILVER
NSQ4S	8	9	730	3000	91.25	SILVER
NSQ3B	8	9	700	4000	87.5	BLACK
NSQ4B	8	9	730	3000	91.25	BLACK

COMMON SPECIFICATION

Power Factor	0.954	Materials/Construction	Die cast Aluminium
Input Voltage	230.3V a.c.	LED Chip	LGD TEEN
Beam Angle	60°	Driver Make	Gama
Glare Rating	<22	Operating Temperature	-20°C ~ +45°C
Colour Rendering	90	Dimming	Universal, Leading Edge, Trailing Edge. Vynco Dimmers recommended.
IP Rating	40	Projected Life (hrs)	50,000
IK Rating	10	Class	II
Other	25° Tilt		

CERTIFICATES & APPROVALS



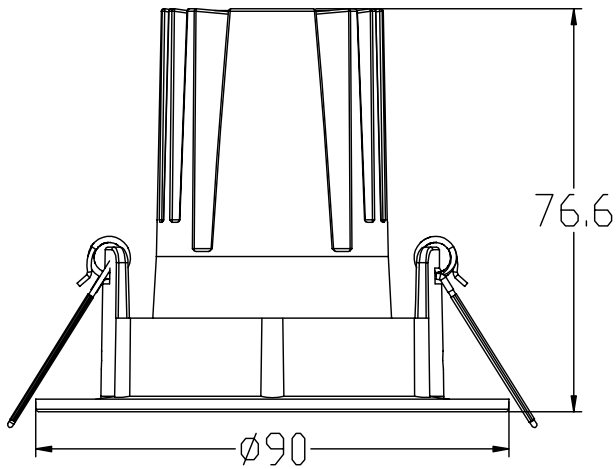
IEC 62384;2006+A1

AS/NZS 60598.2.2:2016

IEC 61347-2-13:2013

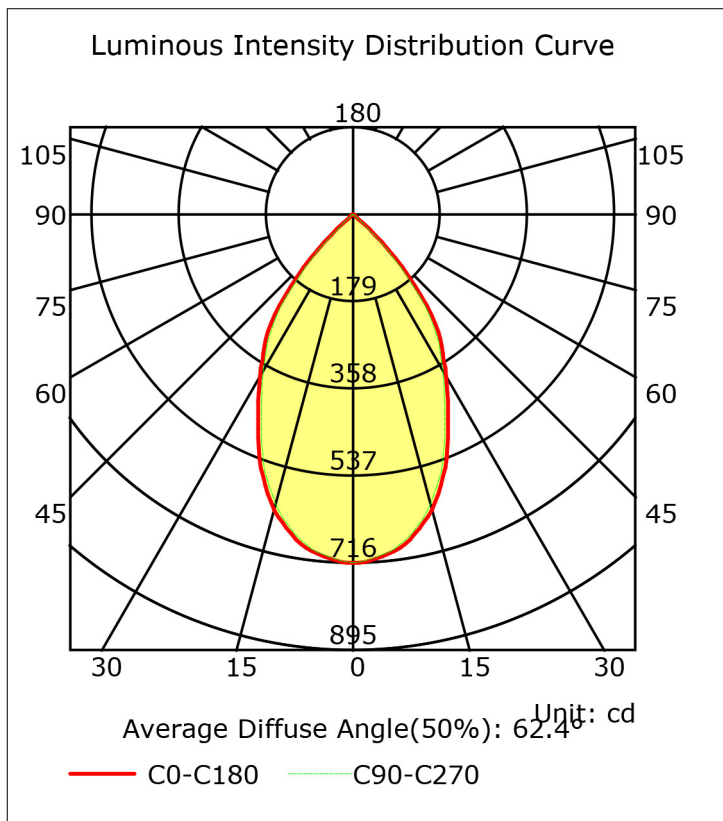
VYNCO LIGHTING

DIMENSIONS

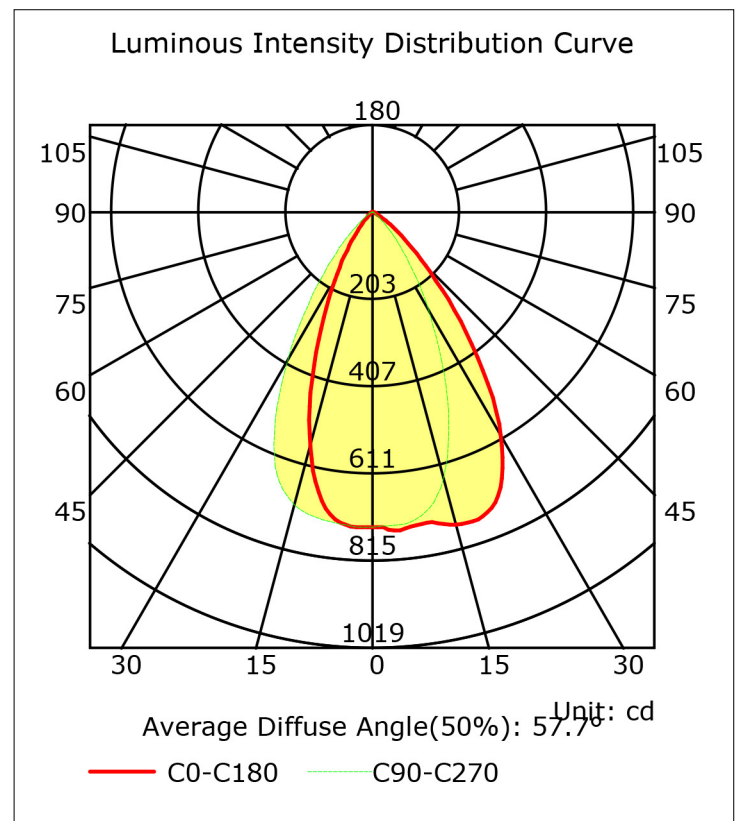


CODE	FASCIA (mm)	HEIGHT (mm)	CUT OUT (mm)
NCXX	90	77	70-80
NRXX	110	77	70-92
NSQXX	110 x 110	90	70-92

PHOTOMETRICS



3000k Units



4000k Units