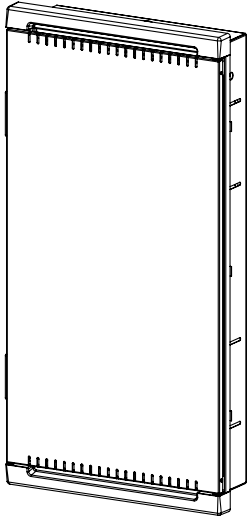


VMD- DATA AND COMMUNICATION BOARD



SPECIFICATIONS	
Rated operational voltage	415V a.c. maximum, 50Hz
Maximum current	63A
Rated insulation voltage	1000V
Short circuit withstand	10kA
Degree of protection	IP40 – Indoor Use Only
Usage	Recommended for use with copper conductors only
Number of ways (Poles)	
Gear tray	
Maintenance	The enclosure is NOT weatherproof and should be used in an indoor application

DIMENSIONS AND WEIGHT				
	Height	Width	Depth	Weight
Cover assembly	800mm	400mm	35mm	4 kgs
Base (cut out size)	752mm	355mm	83mm	5.3 kgs

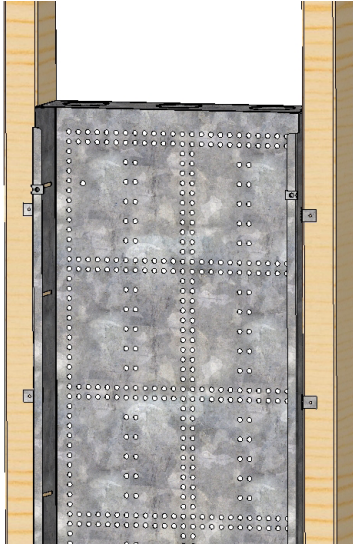
INSTALLER NOTES

1. Punch through the required knockouts before mounting the enclosure into the wall.
2. If power is required then 2 x 88MB30 or 88MB37 can be screwed to the bottom face of the enclosure after the knockout is removed. A vertical or horizontal double switchsocket can then be fitted to provide power to the respective devices in the board. Door hinge pins are easily removable and the door can be reversed so that it swings either left or right.
3. An earth wire MUST be terminated with a lug and attached to the M6 earth stud. There is provision to move the earth stud to either side of the enclosure.
4. Fold out tabs on the sides of the enclosure can be folded out to set the correct height of the enclosure onto the studs.

WARRANTY STATEMENT

- The VMD data and communication board is guaranteed for a period of one year from the date of purchase against defects in workmanship and materials.
- Defects will be rectified by replacement of the product.
- This warranty becomes null and void if, in our opinion, the product has been misused, incorrectly installed, tampered with, or subject to power surges.
- The warranty does not include any labour or other associated expenses that may be involved in removal or installation of the product.
- To obtain a replacement under this guarantee, return the goods (prepaid) to the place of purchase (proof of purchase must be supplied).

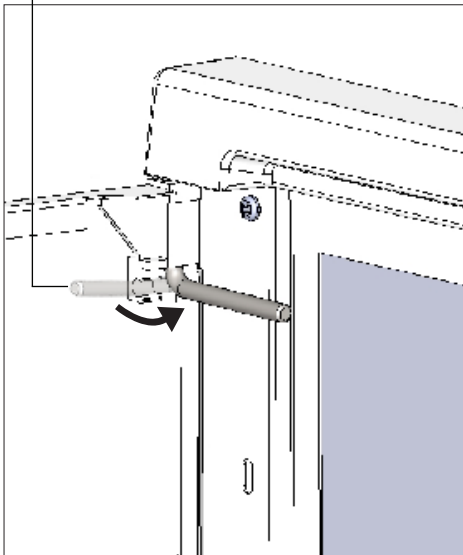
Fitting into wall cavity



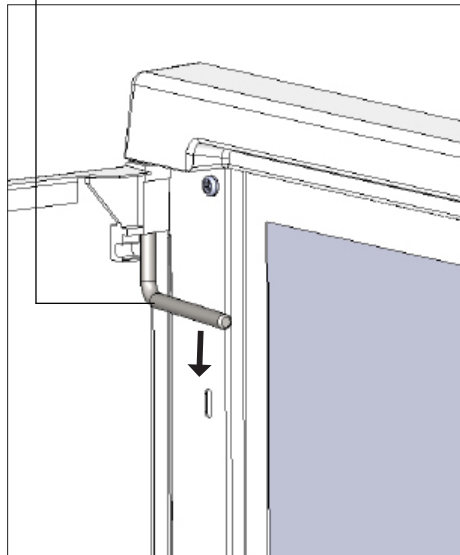
Fold out tabs to set height of enclosure onto studs.

Removing door

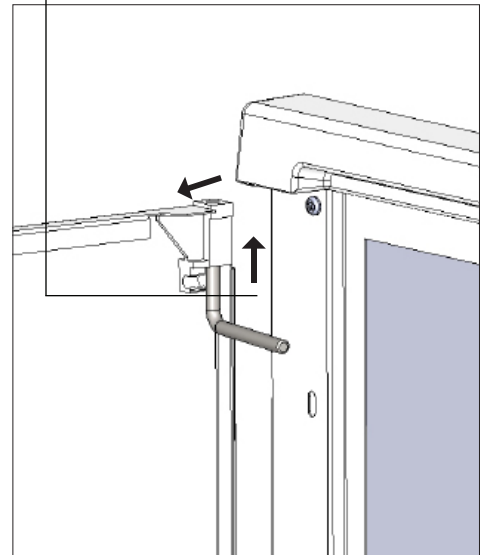
1 Rotate top pin 90°.



2 Slide pin down to release door. There is no need to remove pin completely.



3 Lift and remove door.



Vynco Industries (NZ) Limited

Christchurch Office

388 Tuam Street, Phillipstown, Christchurch, 8011
PO Box 9022, Tower Junction, Christchurch 8149
New Zealand
P +64 3 379 9283 F +64 3 379 6838
E sales@vynco.co.nz
www.vynco.co.nz

Auckland Office

9 Levene Pl, Mount Wellington
PO Box 12 249, Penrose, Auckland 1061
New Zealand
P +64 9 525 6051 F +64 9 525 5799
E sales@vynco.co.nz
www.vynco.co.nz