

VYNCO VH2088 SERIES

OPERATION

Air is drawn through the inlet grill in the cover of the heater by the fan, blown over heating elements, and then blown out through the front grille into the room. The heater is controlled by the pull-cord switch or remotely by a suitable wall switch..

The heat output is regulated by an automatic, pre-set adjustable step-down thermostat which will reduce the output from 2000-2400 Watts to 1000-1200 Watts when a comfortable room temperature (of between approximately 26 to 36 degrees C, which can be selected on the thermostat adjustment knob during installation) is reached.

The Blue LED Indicator is on when the heater is operating.

CARE

The heater is best wiped down from time to time with a damp cloth. Do not use any abrasive cleaners.

The heater requires regular cleaning (yearly or every 6 months if in a dusty environment) to ensure trouble free operation.

Isolate the heater from the mains supply before carrying out any cleaning.

Use a vacuum cleaner to remove dust and fluff visible on the heater inlet and outlet grilles.

There is no requirement to remove the heater cover to clean the internal parts.

Ensure the heater is dry before turning the heater back on.

This heater contains no user serviceable parts. Please contact Vynco for warranty details.

VYNCO INDUSTRIES (NZ) LIMITED

CHRISTCHURCH

388 Tuam Street, Phillipstown, Christchurch, 8011
PO Box 9022, Tower Junction, Christchurch 8149
New Zealand
P +64 3 379 9283
E sales@vynco.co.nz

AUCKLAND

9 Levene Place, Mount Wellington
PO Box 12 249, Penrose, Auckland 1061
New Zealand
P +64 9 525 6051

VYNCO.CO.NZ

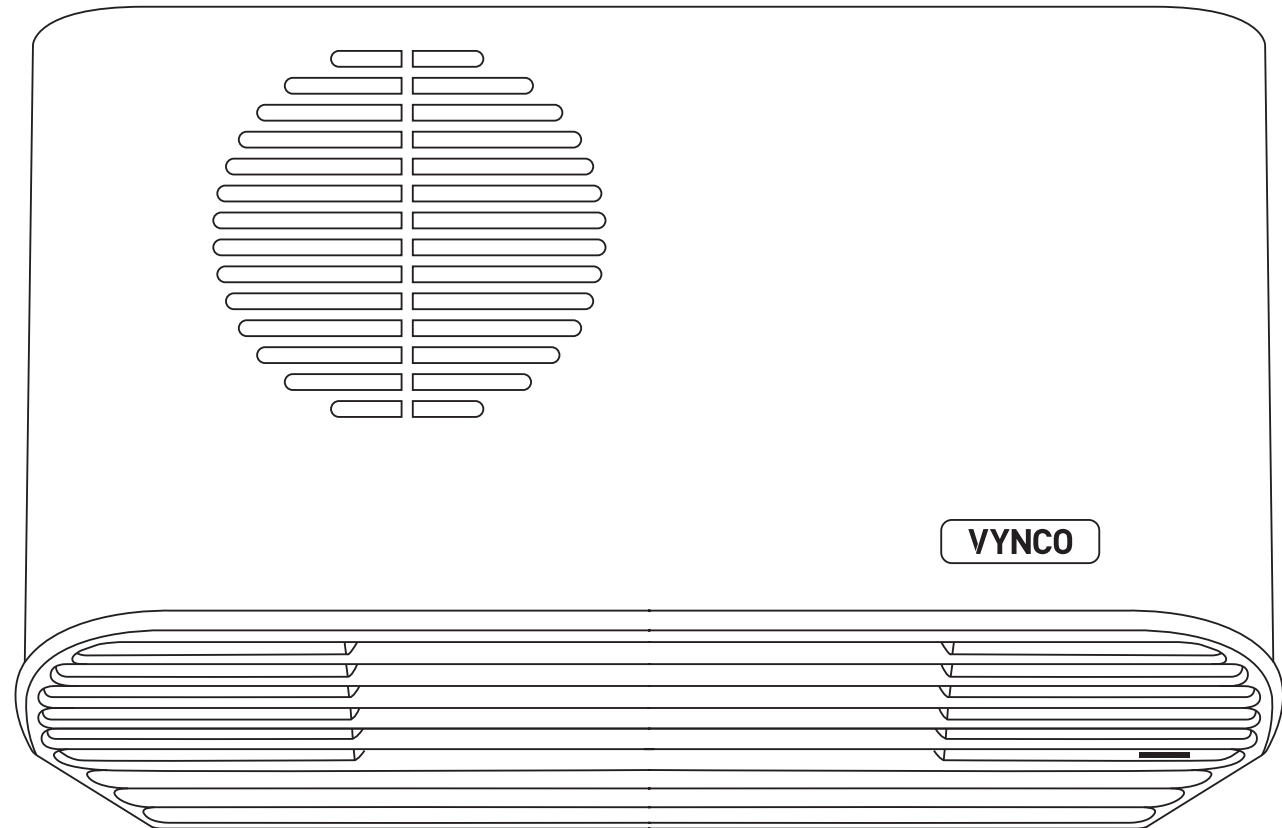
VYNCO



VH2088 SERIES

SANTORINI WALL MOUNTED
BATHROOM HEATER

INSTALLATION & OPERATING INSTRUCTIONS



VYNCO VH2088 SERIES

VH2088A, VH2088SS, VH2088W SPECIFICATIONS

Appliance Class	Class 1 - earth is required
Rated Voltage	220-240V AC
Frequency (Hz)	50Hz
Rated Current	10Amps
Rated Power	2000-2400W
Power Control / Adjustment	Step Down Thermostat - High (2400W) Low (1000W)
Temperature Protection	Thermal Link & Resettable Thermal Cutout
Wiring	Hard Wired - Phase, Neutral and Earth
IP Rating	IP21
Overall Dimensions (H x W x D)	220 x 350 x 108mm
Weight	2.95kg
Product Approvals/ Compliance	AS/NZS60335.2.30 & AS/NZS60335.1

Vynco reserves the right to alter specifications without notice.

INTRODUCTION

Designed for easy installation, your Vynco VH2088 Series Wall & Bathroom Fan Heater includes a metal wall-mounting hinged bracket for faster and easier installation. This model wall and bathroom fan heater has been designed to cover the footprint of previously available SKOPE bathroom heater models.

SAFETY INFORMATION

- When using any electrical appliance, safety precautions should always be observed. Read these instructions carefully, and retain for future reference. For warranty information contact Vynco.
- Under no circumstances should an unauthorized person open the heater to adjust the thermostat or replace parts.
- This appliance is not intended for use by persons (including children) with reduced physical, sensory or mental capabilities, or lack of experience and knowledge, unless they have been given supervision or instruction concerning use of the appliance by a person responsible for their safety.
- Children should be supervised to ensure that they do not play with the appliance.
- Do NOT use this appliance other than for its intended use.
- Use this appliance only with the voltage specified on the rating label.
- Be very careful not to touch hot surfaces or moving parts.
- Do NOT cover the grilles or place any object or material up against the unit as this may block the entry or exhaust of airflow.
- Do NOT probe any opening to remove fluff. To ensure trouble-free performance, it is recommended that the unit be isolated from the power supply and a vacuum cleaner used to remove dust and fluff from the inlet and outlet grilles on a regular basis.
- Installation must be performed by a licensed electrician. Regulations require that electrical work be carried out only by properly qualified person. For your own safety and that of others, ensure this is done.

VYNCO VH2088 SERIES

INSTALLATION

The installation must be performed by a licensed electrician.

This appliance MUST be installed in accordance with relevant wiring rules and regulations which cover installation of appliances and accessories in damp situations, such as bathrooms, showers, laundries and other areas, fixed water containers (in Australia and New Zealand these are covered in the AS/NZS 3000 Wiring Rules.

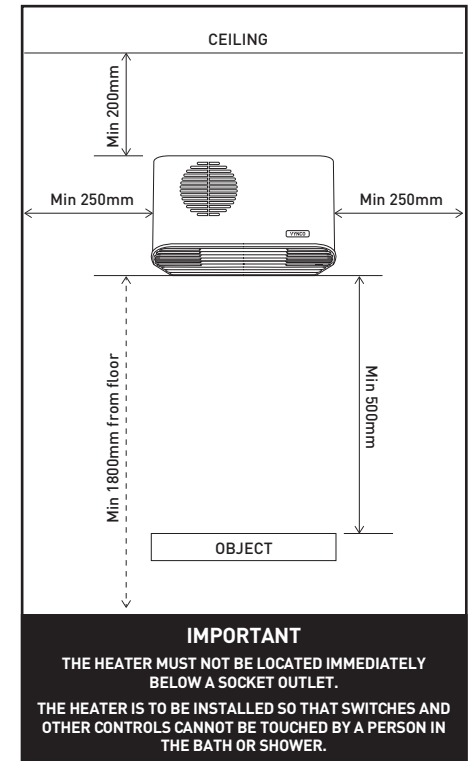
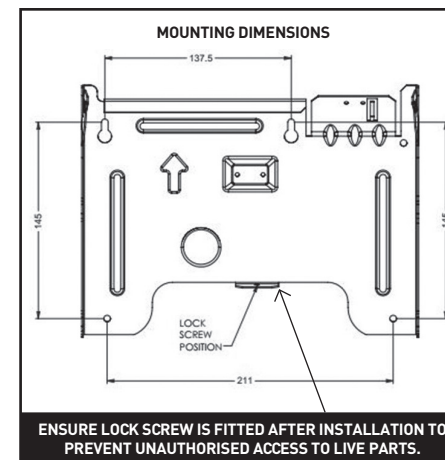
A suitable switch or isolation device MUST be incorporated in the supply wiring.

DISTANCE

The heater must be mounted a minimum distance of:

- 1800mm from floor level
- 200mm below the ceiling
- 250mm from adjacent walls
- 500mm between the heater and any objects heated below it.

Note: No mains cord or plug is supplied with this model.



SAFETY CUTOUT

Your Vynco VH2088 Series Wall & Bathroom Fan Heater is fitted with an auto-reset thermal cutout and a fusible link. Either of these devices will automatically switch off the elements, should the unit reach an abnormal temperature. This is very unlikely to happen with regular maintenance to prevent dust build up in the heater other than in abnormal conditions.

However, should this occur:

- Switch Off / Disconnect heater from power supply.
- Check for blockage of the air inlet and outlet.
- Use a vacuum cleaner to clean if necessary.
- If the heater still fails to operate, contact the place of purchase.