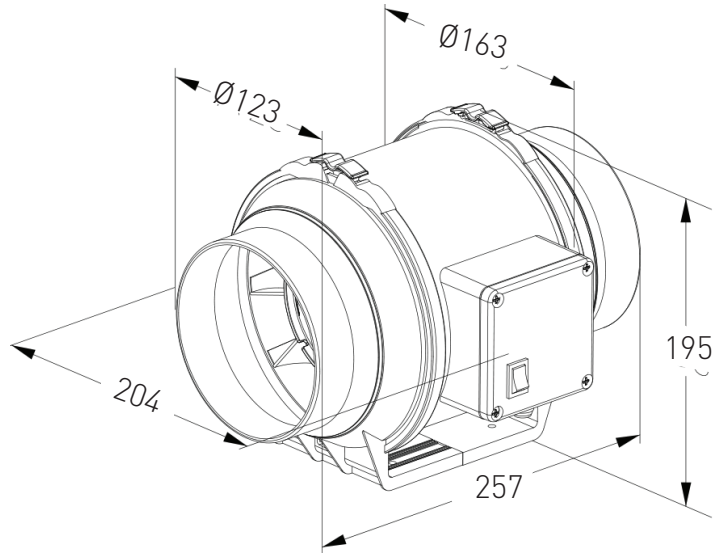


VAFM1251 MIXED FLOW INLINE FAN



PRODUCT SPECIFICATION

MECHANICAL

Model No.	VAFM1251
Dimension	257*163*123 mm
Motor type	Series pole motor
Speed Control type	High speed; Low speed
Net weight	1500g
No. of blade	10
Rotating Direction	CCW

ELECTRICAL CHARACTERISTICS

Rated voltage	220V/50Hz
Rated current (H/L speed)	0.14/0.13A
Rated input power (H/L speed)	33/28W±10%

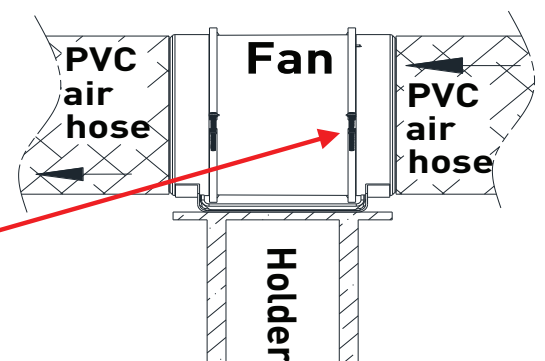
EFFICIENCY

Rated speed (range) (H/L speed)	2550/1850RPM±10%
Maximum air flow (H/L speed)	284/248m ³ /h (167/146CFM)
Maximum static air pressure (H/L speed)	159/106Pa (16/11mmAq)
Maximum flow	280m ³ /hr= 78L/sec
Minimum flow	248m ³ /hr= 69L/sec

CHARACTERISTICS

Operating voltage range	220V/50Hz
Starting voltage	175V/50Hz
Operating temperature	-20° to +80°C
Environment humidity	10%(RH) 45 for 24 hours & 98% (RH)
Mean time between failures (MTBF)	50000H
Temperature protection	Yes
Locked rotor protection	N/A
Soft start	N/A
Dielectric strength	1500VAC/60Hz 1min ≥5mA
IP rating	IP44
Acoustic sound level (H/L speed)	32/26db

Acoustic sound level test descriptions at rated voltage in sound proof room.
Background noise:14.9dBA



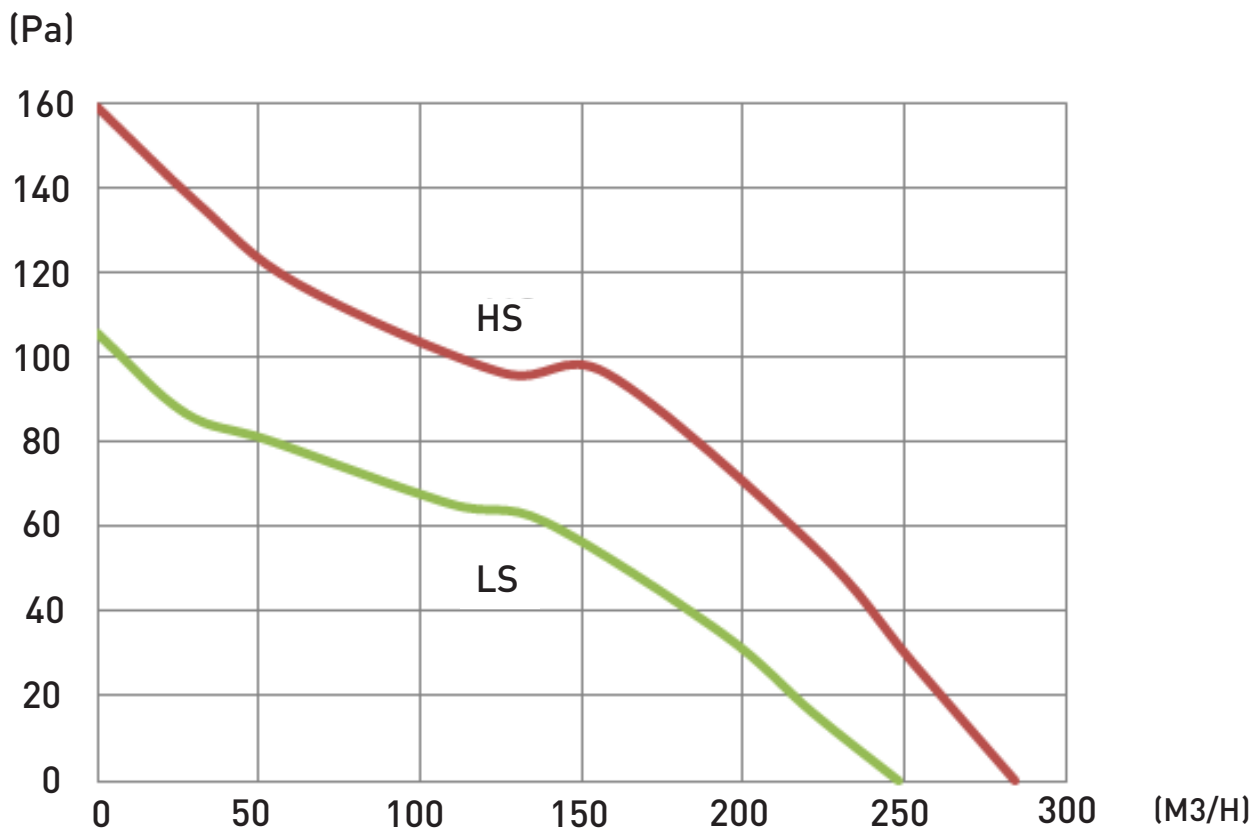
The microphone sensor is aimed at the side of the center of the fan, 3m.

SAFETY	SAA	CEE	UL
	V	V	

MAIN MATERIALS / PARTS SPECIFICATION

Plastic material, blade, housing	PP / ABS
Bearing type	Ball bearing
Lead wire and plug	Australian Standard
Connector	No terminal

PERFORMANCE CHART



Christchurch Office

388-396 Tuam Street, Phillipstown, Christchurch 8011
 PO Box 9022, Tower Junction, Christchurch 8149
 P (+64) 3 379 9283 F (+64) 3 379 6838
 E sales@vynco.co.nz

Auckland Office

9 Levene Place, Mt Wellington, Auckland 1061
 PO Box 12 249, Penrose, Auckland 1642
 P (+64) 9 525 6051 F (+64) 9 525 5799
 E sales@vynco.co.nz