

VYNCO

88PIRMB SENSOR MODULE

ELECTRICAL SPECIFICATIONS	
Supply Voltage Range	220-240Va.c. 50Hz
Load Rating	800W Incandescent
	150W LED's
	250W Fluorescent
	150W Fan/motor
Operating temp	Range 5°C - 40°C
Humidity	Indoor use only
Wire size	3 x 0.75mm ²
TIMING AND LUX SPECIFICATIONS	
Minimum ON time	5 seconds
Maximum ON time	30 minutes
Lux range	10 – 2000 Lux
Field of view	120° Horizontal, 70° Vertical
Maximum range	5 meters

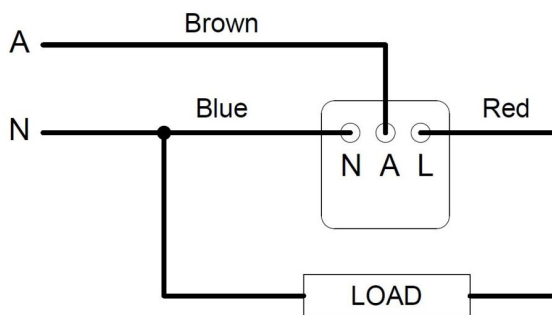
INSTALLER NOTES

Always turn off the power at the circuit breaker (MCB) to isolate the circuit before wiring or changing the PIR module. The 88PIRM must be used in conjunction with an accessible Isolator or MCB.

All wiring is required to be carried out by a licensed or registered Electrical contractor to the latest AS/NZS3000 wiring rules

- Suitable for all load types including – motors, small fans, LEDs, compact fluorescents etc.
- Repair – This product does not contain user serviceable parts
- Complies with AS/NZS 60950.1:2011 + A1: 2012 and AS/NZS CISPR15.1:2006
- Compatible with all common Vynco, Logix, Fusion and Clipsal wall plates

WIRING



WARRANTY STATEMENT

The 88PIRMB is guaranteed for a period of 5 years from the date of purchase against defects in workmanship and materials. Defects will be rectified by replacement of the product. This warranty becomes null and void if in our opinion the product has been misused, incorrectly installed, tampered with, or subject to power surges. The warranty does not include any labour or other associated expenses that may be involved in removal or installation of the product. To obtain a replacement under this guarantee, return the goods (prepaid) to the place of purchase (proof of purchase must be supplied).

