

### VGL150RW/VGL150RB

#### INSTALLATION:

This product should only be installed by a licensed electrician in compliance with the requirements set out in AS/NZS 60598.2.2:2016 incorporating New Zealand only Amendment A.

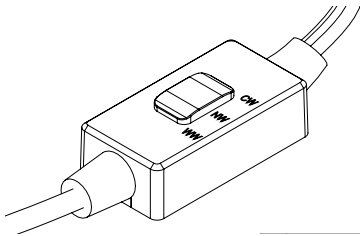
This product is rated to IPX4 and so is suitable for indoor areas including bathrooms.

#### SPECIFICATIONS:

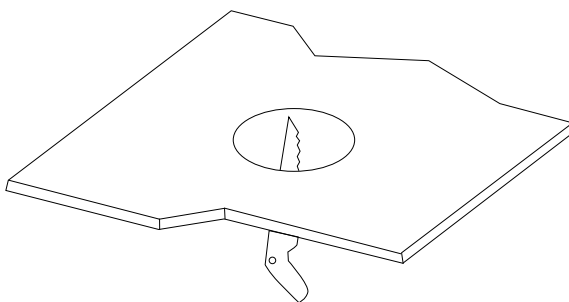
Duct Size [mm]	150
Voltage [VAC @ 50Hz]	200 - 240
Typical Power [W]	8
IP Rating	Light IPX4; Driver IP20
Class	II

#### STEPS:

- 1) Separate the light grille from the base.
- 2) Select the desired colour temperature on CCT switch before installation.  
CW = 5700K; NW = 4000K; WW = 3000K

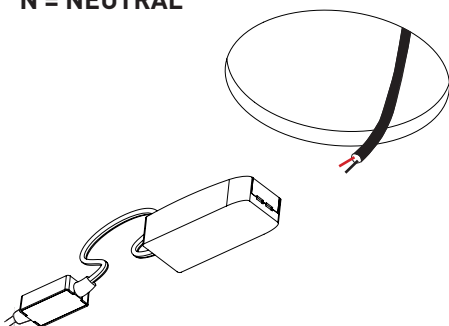


- 3) Ensure desired location is suitable and clear of all obstructions. Cut a Ø160mm hole in ceiling with a suitable tool.



- 4) After ensuring circuit it isolated, pull mains wiring down though Ø160mm hole.

**L = PHASE**  
**N = NEUTRAL**

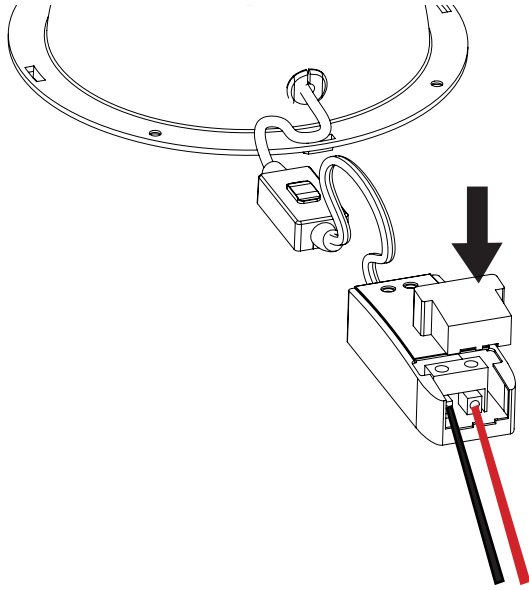


### VGL150RW/VGL150RB

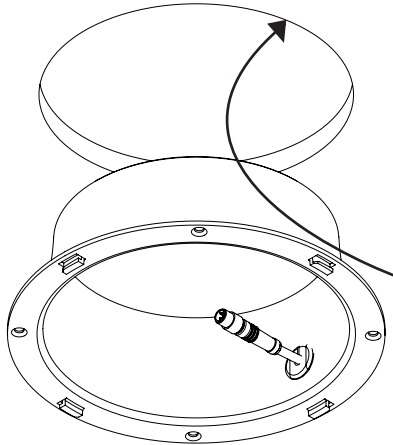
5) Use a flat head screwdriver to remove the driver terminal cover, feed the main AC wire L.N. into the screw terminals respectively, then click cover back on.

**L = PHASE**

**N = NEUTRAL**



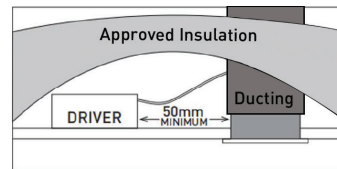
6) Place driver and CCT switch in the ceiling space.



This Driver and CCT switch clearances from combustible material.

This product is suitable for use with building insulation that can safely be continually exposed to temperatures up to 90°C and must withstand a 30s needle flame test carried out in accordance with AS/NZS 60695.11.5 with the flame applied to all surfaces of the sample.

Loose fill insulation as defined in NZS 4246 is not permitted to abut or cover this driver and switch.



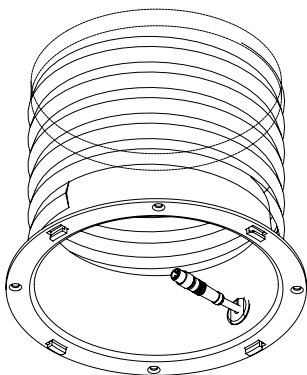
**RISK OF FIRE** - Required clearance from structural members and building elements.

SCB = 0mm  
HCB = 0mm

MIC = 0mm  
SCI = 0mm

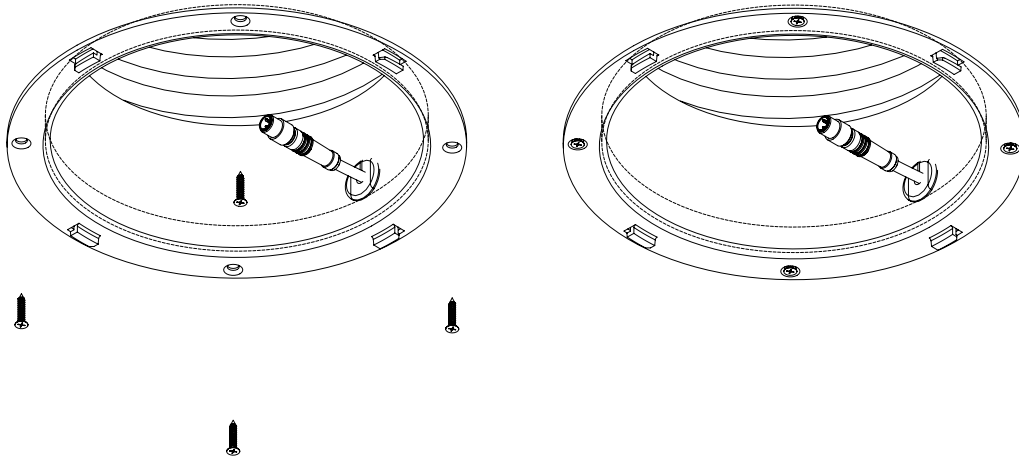


7) Pull the ducting down through the Ø160mm hole and tape the ducting onto the spigot with duct tape.

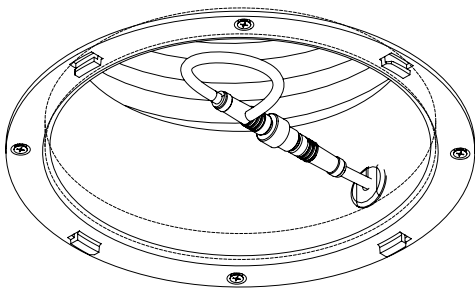


### VGL150RW/VGL150RB

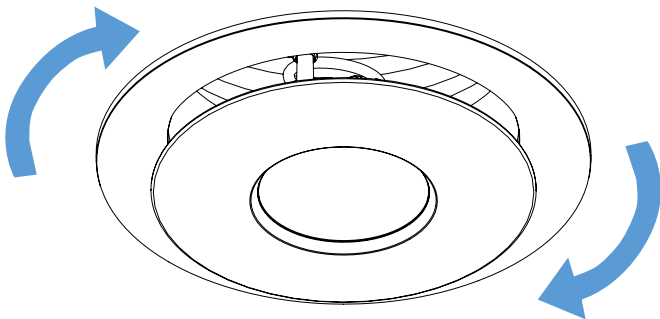
8) Push the ducting and spigot through hole and fix in place with countersunk screws.



9) Connect the plug and socket, ensuring the cap is screwed tight. (Grille omitted for clarity).



10) Push the grille on the mounted spigot and twist clockwise until clips are tightly securing the grille in place.



#### CLEANING INSTRUCTIONS:

Wipe clean with a microfibre cloth.

#### WARRANTY:

This product is covered by the standard 3 year Vynco Warranty - proof of purchase is required. Please contact Vynco for details of returns procedure. NOTE: This product contains NO user serviceable parts.

#### Vynco Industries (NZ) Limited

##### Christchurch Office

388 Tuam Street, Phillipstown, Christchurch, 8011  
PO Box 9022, Tower Junction, Christchurch 8149  
New Zealand  
P +64 3 379 9283 F +64 3 379 6838  
E sales@vynco.co.nz  
www.vynco.co.nz

##### Auckland Office

9 Levene Place, Mount Wellington  
PO Box 12 249, Penrose, Auckland 1061  
New Zealand  
P +64 9 525 6051 F +64 9 525 5799  
E sales@vynco.co.nz  
www.vynco.co.nz