

## VYNCO VH2124 SERIES

---

### OPERATION

The operation of the heater is controlled by the use of the pull-cord switch or directly wired to a wall switch. To operate with the pull cord, pull the cord to switch the heater ON. Pull the pull cord again to switch the heater OFF. The heater can also be directly wired to a wall switch and the pull cord discarded.

The heat output is regulated by an automatic, pre-set adjustable step-down thermostat which will reduce the output from 2000-2400 Watts to 1000-1200 Watts when a comfortable room temperature is reached. If the room temperature drops the full power will automatically cut back in.

The Blue LED Indicator is on when the heater is operating.

---

### CARE

The heater is best wiped down from time to time with a damp cloth. Do not use any abrasive cleaners.

The heater requires regular cleaning (yearly or every 6 months if in a dusty environment) to ensure trouble free operation.

Isolate the heater from the mains supply before carrying out any cleaning.

Use a vacuum cleaner to remove dust and fluff visible on the heater inlet and outlet grilles.

There is no requirement to remove the heater cover to clean the internal parts.

Ensure the heater is dry before turning the heater back on.

This heater contains no user serviceable parts. Please contact Vynco for warranty details.

---

### VYNCO INDUSTRIES (NZ) LIMITED

#### CHRISTCHURCH

388 Tuam Street, Phillipstown, Christchurch, 8011  
PO Box 9022, Tower Junction, Christchurch 8149  
New Zealand  
P +64 3 379 9283  
E sales@vynco.co.nz

#### AUCKLAND

9 Levene Place, Mount Wellington  
PO Box 12 249, Penrose, Auckland 1061  
New Zealand  
P +64 9 525 6051

[VYNCO.CO.NZ](http://VYNCO.CO.NZ)

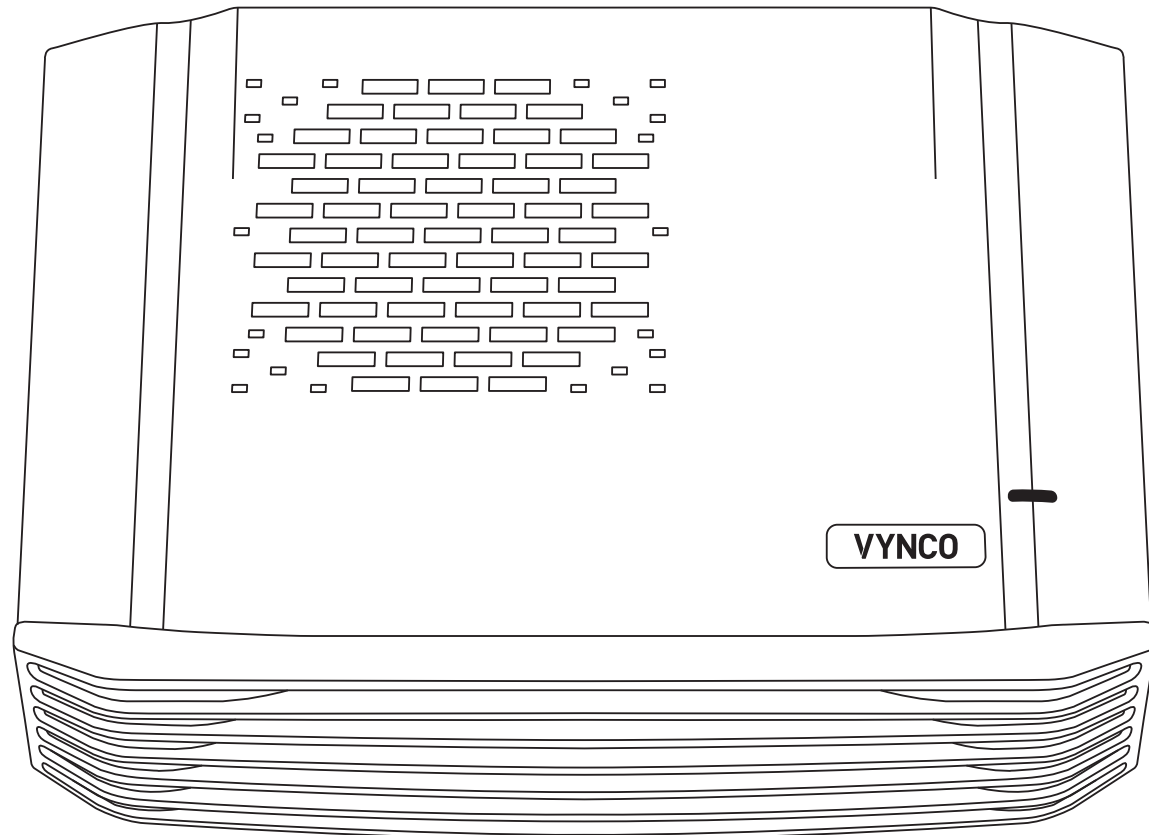
# VYNCO



## VH2124 SERIES

CRETE BATHROOM  
FAN HEATER

### INSTALLATION & OPERATING INSTRUCTIONS



INSV0168 | 02/2024

[VYNCO.CO.NZ](http://VYNCO.CO.NZ)

## VYNCO VH2124 SERIES

### VH2124 SERIES SPECIFICATIONS

Appliance Class	Class 1 - earth is required
Rated Voltage	220-240V AC
Frequency (Hz)	50Hz
Rated Current	10Amps
Rated Power	2000-2400W
Power Control / Adjustment	Step Down Thermostat - High (2400W) Low (1200W)
Temperature Protection	Thermal Link & Resettable Thermal Cutout
Wiring	Hard Wired - Phase, Neutral and Earth
IP Rating	IP20
Overall Dimensions (H x W x D)	210 x 300 x 110mm
Weight	1.8kg
Product Approvals/ Compliance	AS/NZS60335.2.30 & AS/NZS60335.1

Vynco reserves the right to alter specifications without notice.

### INTRODUCTION

Designed for easy installation, your Vynco VH2124 Series Wall & Bathroom Fan Heater includes a plastic wall-mounting bracket for faster and easier installation.

### SAFETY INFORMATION

- When using any electrical appliance, safety precautions should always be observed. Read these instructions carefully, and retain for future reference. For warranty information contact Vynco.
- Under no circumstances should an unauthorized person open the heater to adjust the thermostat or replace parts.
- This appliance is not intended for use by persons (including children) with reduced physical, sensory or mental capabilities, or lack of experience and knowledge, unless they have been given supervision or instruction concerning the use of the appliance by a person responsible for their safety.
- Children should be supervised to ensure that they do not play with the appliance.
- Do NOT use this appliance other than for its intended use.
- Use this appliance only with the voltage specified on the rating label.
- Be very careful not to touch hot surfaces or moving parts.
- Do NOT cover the grilles or place any object or material up against the unit as this may block the entry or exhaust of airflow.
- Do NOT probe any opening to remove fluff. To ensure trouble-free performance, it is recommended that the unit be isolated from the power supply and a vacuum cleaner used to remove dust and fluff from the inlet and outlet grilles on a regular basis.
- If the supply cord is damaged, it must be replaced by Vynco, an approved service agent or a similarly qualified person in order to avoid a hazard.
- Installation must be performed by a licensed electrician. Regulations require that electrical work be carried out only by a properly qualified person. For your own safety and that of others, ensure this is done.

## VYNCO VH2124 SERIES

### INSTALLATION

The installation must be performed by a licensed electrician.

This appliance MUST be installed in accordance with relevant wiring rules and regulations which cover the installation of appliances and accessories in damp situations, such as bathrooms, showers, laundries and other areas, fixed water containers (in Australia and New Zealand these are covered in the AS/NZS 3000 Wiring Rules. A suitable switch or isolation device MUST be incorporated in the supply wiring.

To attach the heater to the wall:

- Remove the wall mounting base from the heater by using a screwdriver (large flat blade) to release both of the side clips from inside the base.
- Secure the mounting base to the wall using the four fixing screw holes provided and suitable screws/wall plugs. The base supplied with the heater must be used when attaching the heater to the wall.
- Put the heater onto the mounting base and snap it into position.
- Connect supply cord to fixed mains supply wiring behind a suitable wall box and cover.

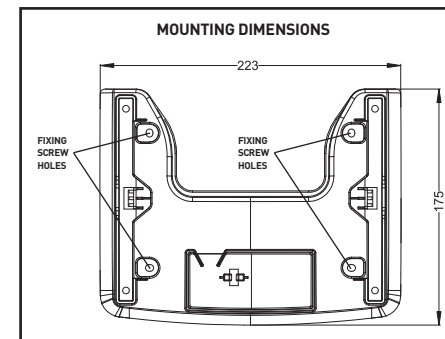
L= Live - Brown/Red. N= Neutral - Blue/Black. G= Earth- Green/Yellow

### DISTANCE

The heater must be mounted at a minimum distance of:

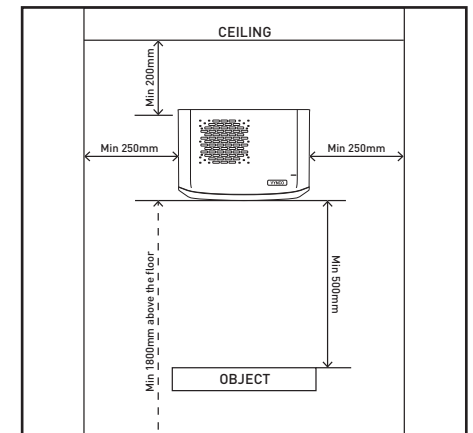
- 1800mm above the floor
- 200mm below the ceiling
- 250mm from adjacent walls
- 500mm between the heater and any objects heated below it.

Note: No plug is supplied with this model.



### SAFETY CUTOUT

Your Vynco VH2124 Series Wall & Bathroom Fan Heater is fitted with an auto-reset thermal cutout and a fusible link. Either of these devices will automatically switch off the elements, should the unit reach an abnormal temperature. This is very unlikely to happen with regular maintenance to prevent dust build up in the heater other than in abnormal conditions.



### IMPORTANT

THE HEATER MUST NOT BE LOCATED IMMEDIATELY BELOW A SOCKET OUTLET.  
THE HEATER IS TO BE INSTALLED SO THAT SWITCHES AND OTHER CONTROLS CANNOT BE TOUCHED BY A PERSON IN THE BATH OR SHOWER.

However, should this occur:

- Switch Off / Disconnect the heater from the power supply.
- Check for blockage of the air inlet and outlet.
- Use a vacuum cleaner to clean if necessary.
- If the heater still fails to operate, contact the place of purchase.