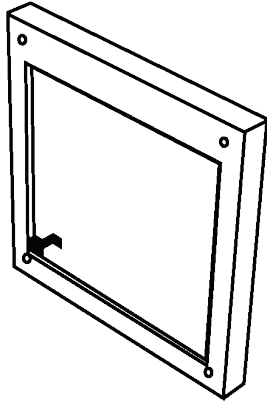


V40SPACER - V40MB SPACER KIT



SPECIFICATIONS

Material	Powdercoated Steel
Colour	Appliance White
Dimensions	447 x 431 x 50mm

WARRANTY

This product is covered by a 1 Year Vynco Warranty - proof of purchase is required. Please contact Vynco for details of returns procedure.

NOTE: This product contains NO user serviceable parts.

FITMENT

Hardware includes:

- 1 x Spacer
- 4 x U-nuts
- 4 x Screws
- 2 x M6 Nuts for Earth Stud

INSTALLATION PROCEDURE

STEP 1

Place the spacer onto the V40MB.

STEP 2

Screw the spacer onto the V40MB.

STEP 3

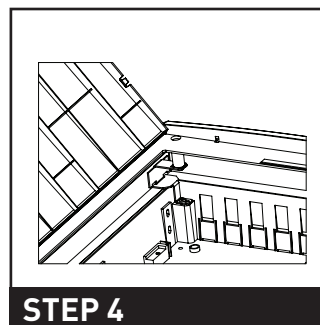
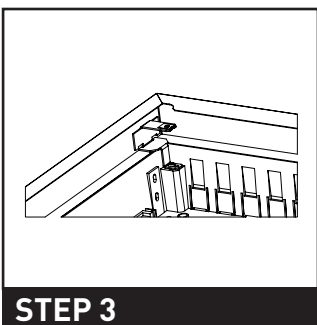
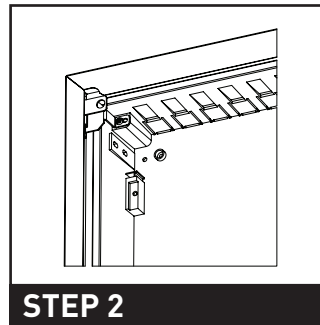
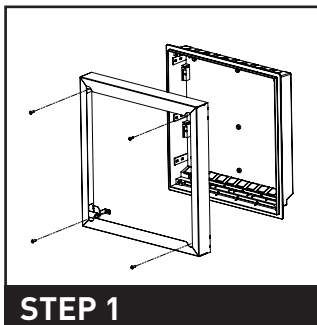
Place the 4 x U-nuts onto the spacer.

STEP 4

If you need to raise the DIN rail, use V40SpacerDB. Available as an accessory from Vynco.

STEP 5

Place the cover onto the spacer and secure.



VYNCO INDUSTRIES (NZ) LIMITED

CHRISTCHURCH

388 Tuam Street, Phillipstown, Christchurch, 8011
 PO Box 9022, Tower Junction, Christchurch 8149
 New Zealand
 P +64 3 379 9283 F +64 3 379 6838
 E sales@vynco.co.nz

VYNCO.CO.NZ

AUCKLAND

9 Levene Place, Mount Wellington
 PO Box 12 249, Penrose, Auckland 1061
 New Zealand
 P +64 9 525 6051 F +64 9 525 5799