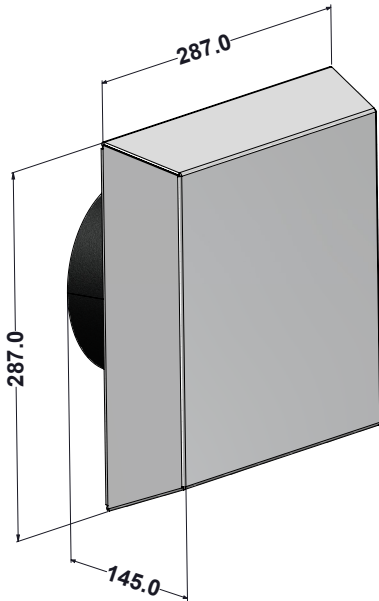


VEG2B/W/S MAGNUM ARCHITECTURAL EXTERNAL GRILLE



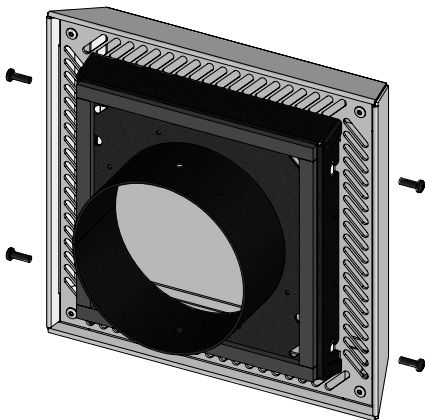
An exterior mounted grille, ideal for bathrooms, laundries and drying rooms. Suitable for soffit or side wall mounting.

FEATURES

- Body components made from Powdercoated Aluminum construction.
- Accepts standard 150mm ducting.
- Supplied with terminal box and motor capacitor.
- Grille Cover Depth – 75 mm.
- 5 Year Warranty
- Available in:
 - VEG2S - Exterior Stainless Steel Grille
 - VEG2W - Exterior White Grille
 - VEG2B - Exterior Black Grille

INSTALLATION

1. Loosen the 4 x M6 cover screws holding on the cover and remove the cover by sliding it off the base assembly.
2. Make a hole cut-out on the mounting surface that can accommodate spigot.
3. Securely seal the ducting to the spigot.
4. Mount the base assembly to the wall or soffit.
5. Ensure ducting is placed inside the cut-out.
6. Reinstall cover to the fan base assembly by securing 4 x M6 cover screws on both sides.



VYNCO INDUSTRIES (NZ) LIMITED

Christchurch Office

388 Tuam Street, Phillipstown, Christchurch, 8011
PO Box 9022, Tower Junction, Christchurch 8149
New Zealand
P +64 3 379 9283 F +64 3 379 6838
E sales@vynco.co.nz

VYNCO.CO.NZ

Auckland Office

9 Levene Place, Mount Wellington
PO Box 12 249, Penrose, Auckland 1061
New Zealand
P +64 9 525 6051 F +64 9 525 5799
E sales@vynco.co.nz