

VYNCO LIGHTING



EASTWOOD

LED HIGH BAY



PRODUCT SPECIFICATION

CODE	TYPICAL POWER (W)	TOTAL POWER (W)	LUMEN OUTPUT (lm)	COLOUR TEMPERATURE	EFFICACY (LM/W)	COLOUR
HB1505	150	160	18,000	5000	120	Black
HB2005	200	201	24,000	5000	120	Black

COMMON SPECIFICATION

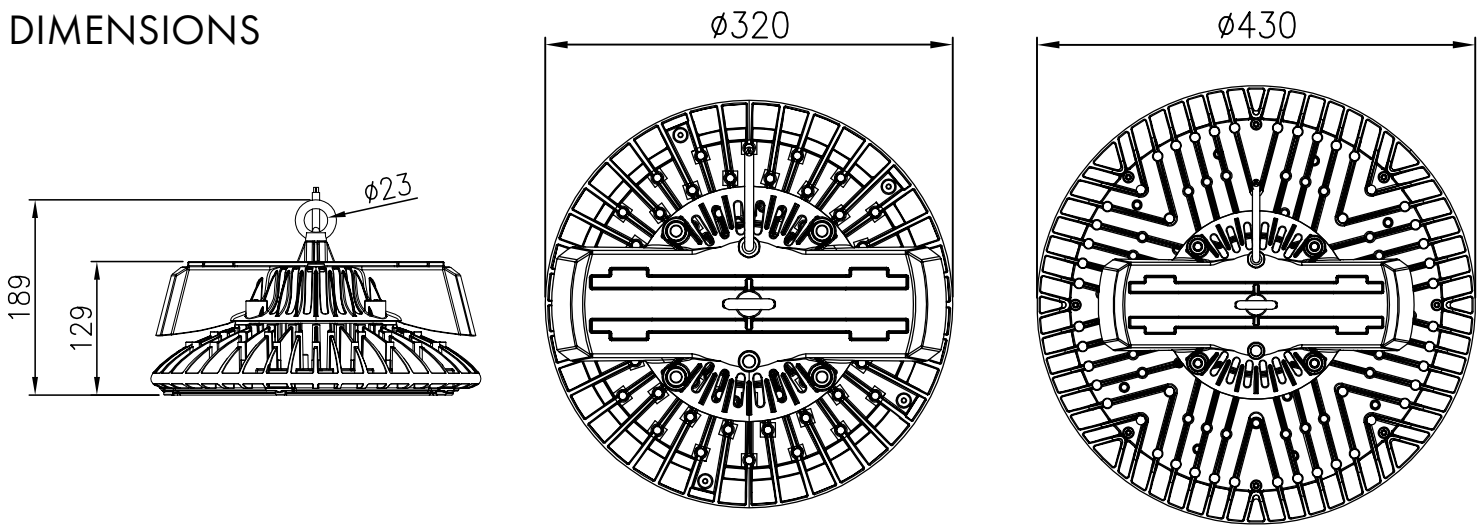
Power Factor	>0.95	Materials/Construction	Die Cast Aluminium
Input Voltage	90-305V a.c	LED Chip	Lumiled
Beam Angle	120°	Driver Make	Meanwell
Glare Rating	-	Operating Temperature	-40°C ~ +50°C
Colour Rendering	80	Dimming	No
IP Rating	IP65	Projected Life (hrs)	50,000
IK Rating	IK07	Class	I

CERTIFICATES & APPROVALS



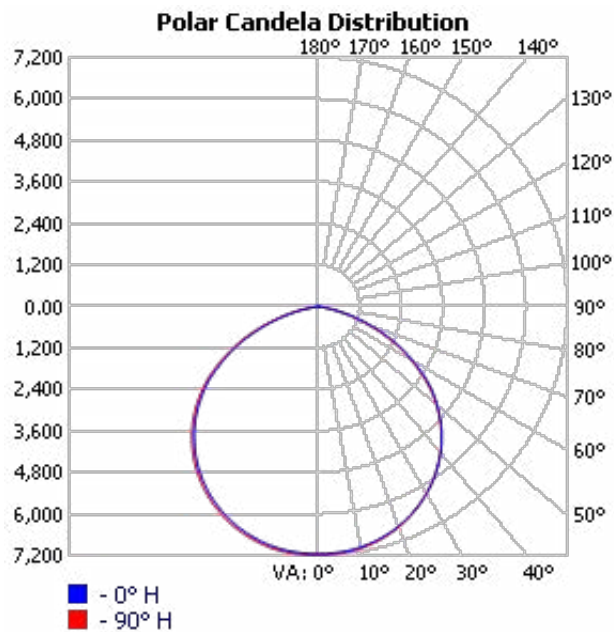
VYNCO LIGHTING

DIMENSIONS

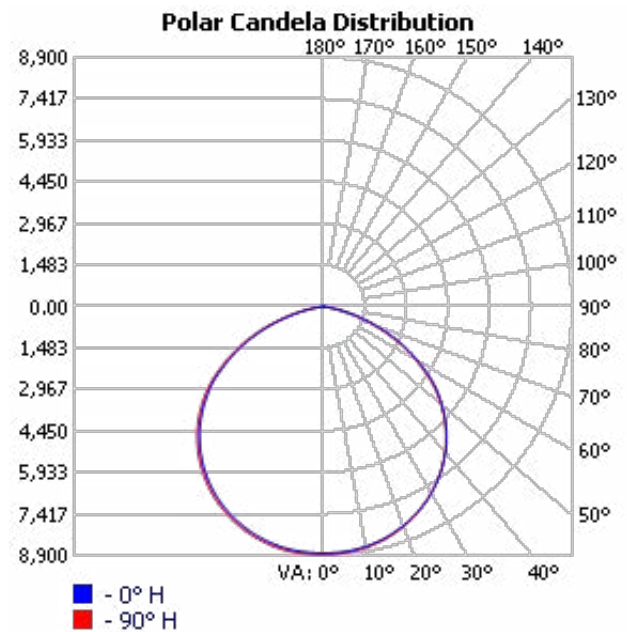


CODE	DIAMETER (mm)	HEIGHT (mm)	WEIGHT (kg)
HB1505	320	189	5.6kg
HB2005	430	189	6.2kg

PHOTOMETRICS



HB1505



HB2005

OTHER

Chain not included.
Supplied with 1.5m Flex and Plug - 1.0mm² triple shield wire

Vynco Industries NZ Limited

Auckland
P +64 9 525 6051 F +64 9 525 5799
E vyncoauck@vynco.co.nz

Christchurch
P +64 3 379 9283 F +64 3 379 6838
E chchsales@vynco.co.nz

[fb/vyncoindustriesltd](https://www.vynco.co.nz)
www.vynco.co.nz