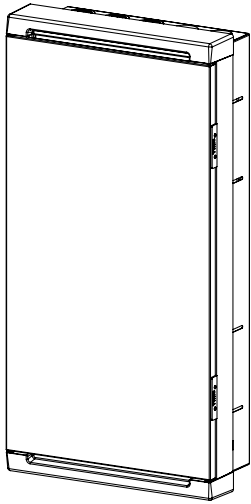


### VMC34D - COMBINED METER BOARD - DEEP

34 WAY



SPECIFICATIONS	
Rated operational voltage	415V a.c. maximum, 50Hz
Maximum current	100A
Rated insulation voltage	1000V
Short circuit withstand	10kA
Degree of protection	IP40 – Indoor Use Only
Usage	Recommended for use with copper conductors only
Number of ways (Poles)	34 ways – 2 rows of 17 ways
Gear tray	Size of gear tray 320mm x 248mm Maximum height of meter = 128mm
Maintenance	This product does not require maintenance once installed

DIMENSIONS AND WEIGHT				
	Height	Width	Depth	Weight
Cover assembly	800mm	402mm	77mm	4.9 kgs
Base (cut out size)	754mm	355mm	98mm	5.0 kgs

EARTH AND NEUTRAL BUSBAR LAYOUT				
	Material	Number of bars	Double screw tunnels	Single screw tunnels
Earth bar	Brass steel	1	3	30
Neutral bar	Brass steel	1	4	14
RCD neutral bar	Brass steel	1	1	3

### INSTALLER NOTES

1. This product is designed to be installed inside a wall cavity with a minimum stud size of 90mm and a minimum gip board/ wall covering of 10mm.
2. For surface mounting use VMCC surface mount enclosure in conjunction with this board.
3. The metal wall enclosure must be earthed.
4. Fold out tags (x6) on the side walls of the enclosure can be folded out to set the correct height onto the studs.
5. Door hinge pins are easily removable and the door can be reversed so that it swings either left or right.
6. This product is designed to be used with New Zealand and Australia's MEN system.
7. DO NOT install a link between the neutral bars and earth bar on circuits dedicated to RCDs.
8. Please ensure circuits and protective devices are adequately identified during installation.

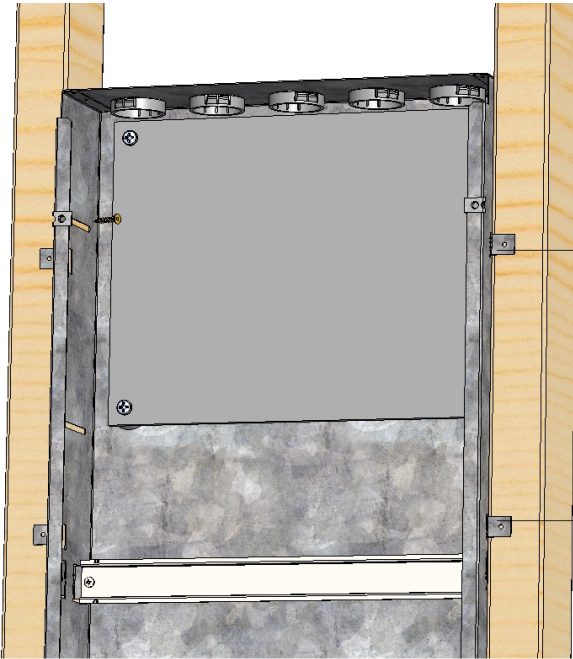
### WARRANTY STATEMENT

- The VMC34D is guaranteed for a period of one year from the date of purchase against defects in workmanship and materials.
- Defects will be rectified by replacement of the product.
- This warranty becomes null and void if, in our opinion, the product has been misused, incorrectly installed, tampered with, or subject to power surges.
- The warranty does not include any labour or other associated expenses that may be involved in removal or installation of the product.
- To obtain a replacement under this guarantee, return the goods (prepaid) to the place of purchase (proof of purchase must be supplied).

### VMC34D - COMBINED METER BOARD - DEEP

34 WAY

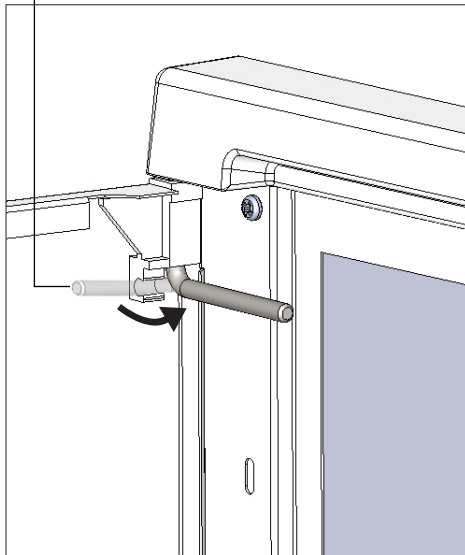
#### Fitting into wall cavity



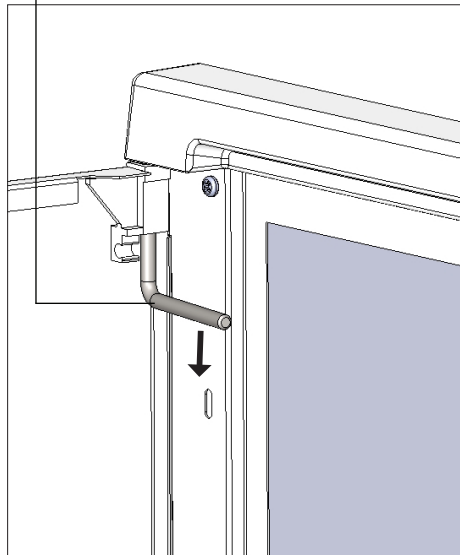
Fold out tabs to set height of enclosure onto studs.

#### Removing door

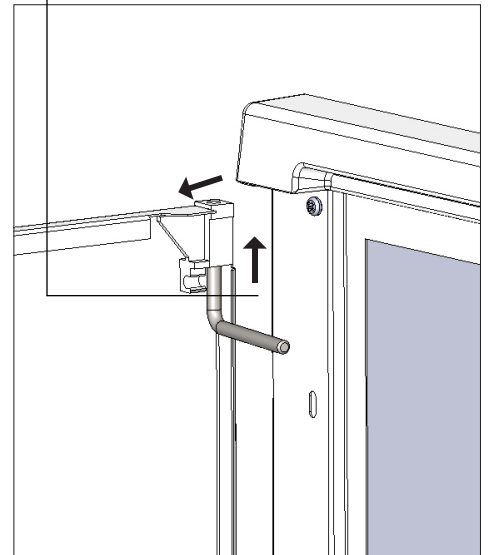
1 Rotate top pin 90°.



2 Slide pin down to release door. There is no need to remove pin completely.



3 Lift and remove door.



#### Vynco Industries (NZ) Limited

##### Christchurch Office

388 Tuam Street, Phillipstown, Christchurch, 8011  
PO Box 9022, Tower Junction, Christchurch 8149  
New Zealand  
P +64 3 379 9283 F +64 3 379 6838  
E sales@vynco.co.nz  
www.vynco.co.nz

##### Auckland Office

9 Levene Pl, Mount Wellington  
PO Box 12 249, Penrose, Auckland 1061  
New Zealand  
P +64 9 525 6051 F +64 9 525 5799  
E sales@vynco.co.nz  
www.vynco.co.nz