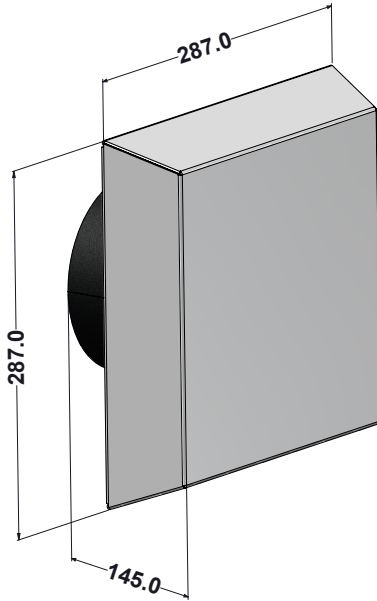


VEF2B/W/S/VEG2G/ VEF2G MAGNUM ARCHITECTURAL EXTERNAL GRILLE + FAN



An exterior mounted extract fan, ideal for bathrooms, laundries and drying rooms. Suitable for soffit or side wall mounting.

FEATURES

- Body components made from Powdercoated Aluminum construction.
- Accepts standard 150mm ducting.
- Supplied with terminal box and motor capacitor.
- Grille Cover Depth – 75 mm.
- 5 Year Warranty
- Available in:
 - VEF2S - Exterior Extractor Fan with Stainless Steel Grille
 - VEF2W - Exterior Extractor Fan with White Grille
 - VEF2B - Exterior Extractor Fan with Black Grille
 - VEG2G - Powder Coated Gunmetal Grey
 - VEF2G - Powder Coated Gunmetal Grey

SPECIFICATIONS

Appliance Class: Class I

Voltage: 230 - 240Vac at 50/60 Hz

Power: 60W

Operating Temperature: -20° C to +70°C

Number of Blades: 7

RPM: 2490 RPM

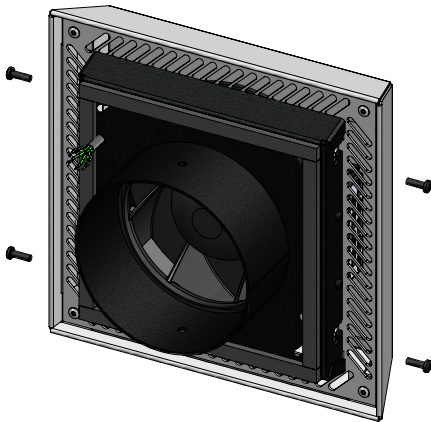
Water Ingress: IPX4

Climate Class: T

Duct Size: 150 mm

Airflow: 582 m³/h (161.7 L/s)

Air Pressure: 333.4 Pa at 50 Hz



SAFTEY WARNING

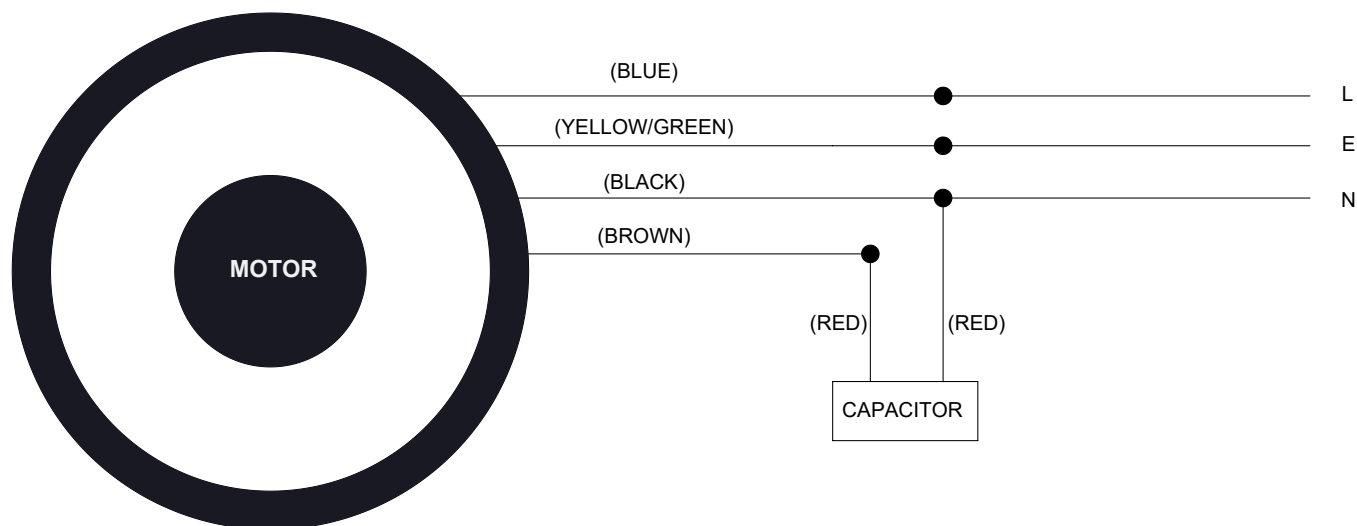
- Appliance not intended for use by persons (including children) with reduced physical, sensory or mental capabilities, or lack of experience and knowledge, unless they have been given supervision or instruction concerning use of appliance by person responsible for their safety.
- Children should be supervised to ensure they do not play with appliance.
- Ensure that the fan is switched off from supply mains before moving the guard.
- Precautions must be taken to avoid back flow of gasses into room from open flue of gas or other fuel burning appliances (for duct and partition fans).
- If supply cord is damaged, it must be replaced by the manufacturer, its service agent or similarly qualified persons in order to avoid a hazard.

INSTALLATION

1. Loosen the 4 x M6 cover screws holding on the cover and remove the cover by sliding it off the fan base assembly.
2. Make a hole cut-out on the mounting surface that can accommodate spigot and electrical supply cable.
3. From the above wiring diagram, wire Fan and capacitor inside to the terminal box.
4. Securely seal the ducting to the spigot.
5. Mount the fan base assembly to the wall or soffit. Ensure terminal box and duct are placed inside the cut-out.
6. Ensure the Fan is level before tightening screws.
7. Reinstall cover to the fan base assembly by securing 4 x M6 cover screws on both sides.

VEF2B/W/S/VEG2G/VEF2G MAGNUM ARCHITECTURAL EXTERNAL GRILLE + FAN

WIRING DIAGRAM



VYNCO INDUSTRIES (NZ) LIMITED

Christchurch Office

388 Tuam Street, Phillipstown, Christchurch, 8011
PO Box 9022, Tower Junction, Christchurch 8149
New Zealand
P +64 3 379 9283 F +64 3 379 6838
E sales@vynco.co.nz

VYNCO.CO.NZ

Auckland Office

9 Levene Place, Mount Wellington
PO Box 12 249, Penrose, Auckland 1061
New Zealand
P +64 9 525 6051 F +64 9 525 5799
E sales@vynco.co.nz