

V40 SPACER

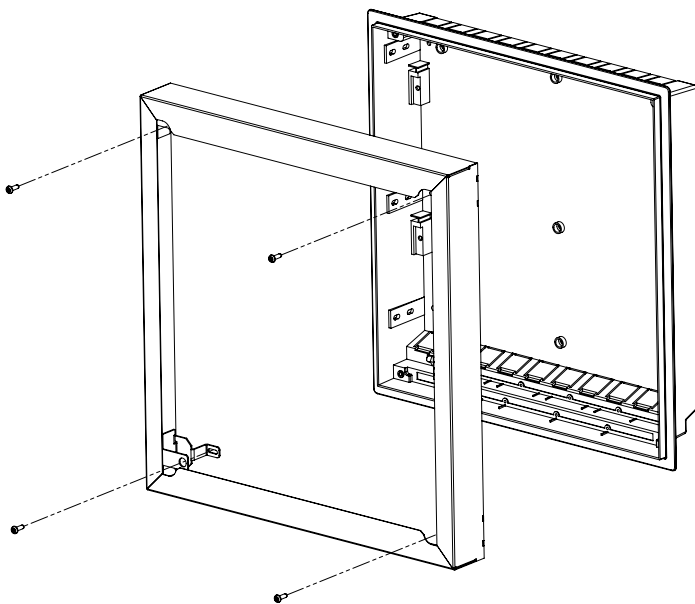
Hardware includes:

- 1 x Spacer
- 4 x U-nuts
- 4 x Screws
- 2 x M6 Nuts for Earth Stud

STEPS

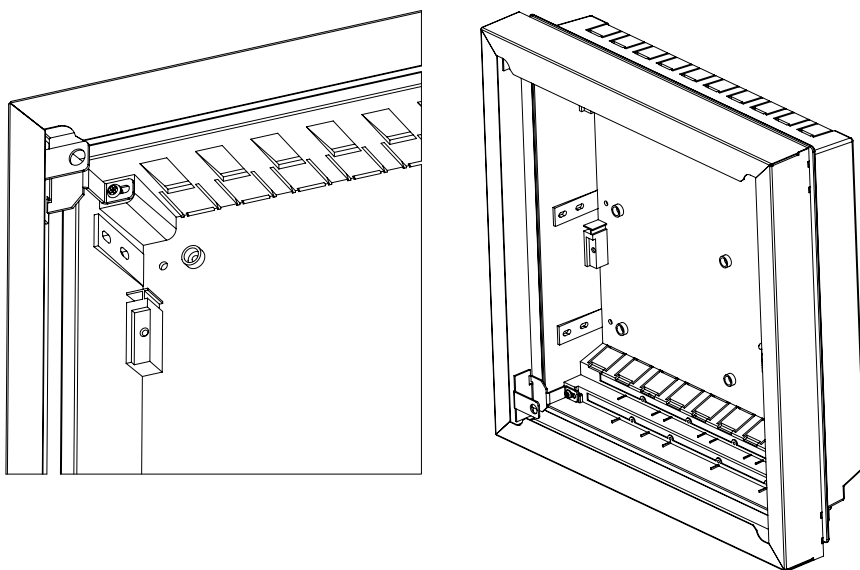
Step 1

Place the spacer onto the V40MB.



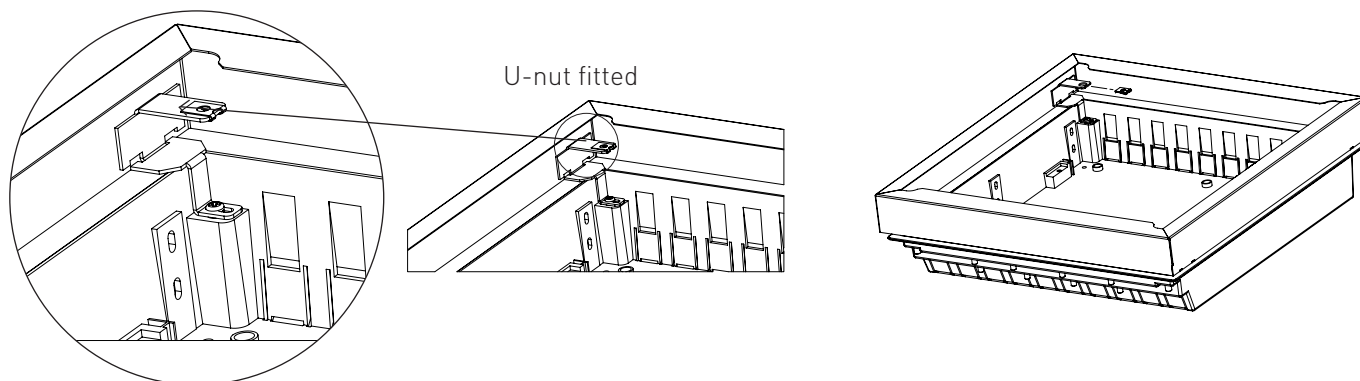
Step 2

Screw the spacer onto the V40MB.



Step 3

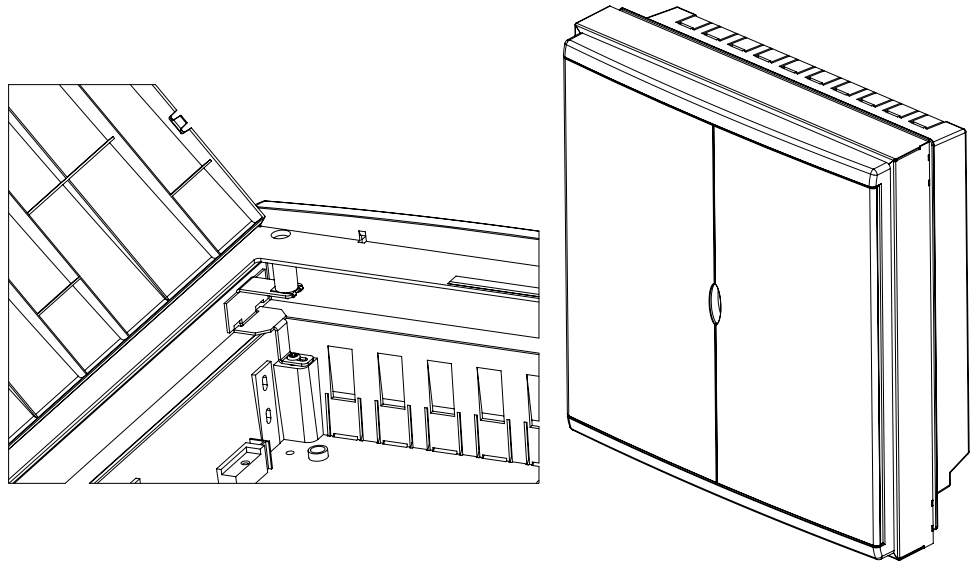
Place the 4 x U-nuts onto the spacer.



V40 SPACER

Step 4

Place the cover onto the spacer and secure.



WARRANTY STATEMENT

- The V40 spacer is guaranteed for a period of 1 year from the date of purchase against defects in workmanship and materials.
- Defects will be rectified by replacement of the product.
- This warranty becomes null and void if in our opinion the product has been misused, incorrectly installed, tampered with, or subject to power surges.
- The warranty does not include any labour or other associated expenses that may be involved in removal or installation of the product.
- To obtain a replacement under this guarantee, return the goods (prepaid) to the place of purchase (proof of purchase must be supplied).

Vynco Industries (NZ) Limited

Christchurch Office

388 Tuam Street, Phillipstown, Christchurch, 8011
PO Box 9022, Tower Junction, Christchurch 8149
New Zealand
P +64 3 379 9283 F +64 3 379 6838
E sales@vynco.co.nz
www.vynco.co.nz

Auckland Office

9 Levene Pl, Mount Wellington
PO Box 12 249, Penrose, Auckland 1061
New Zealand
P +64 9 525 6051 F +64 9 525 5799
E sales@vynco.co.nz
www.vynco.co.nz
