

INTRODUCING THE VM SERIES

COMBINED METER BOARDS





VMC34



VMD

Combined Meter Boards

Code	Style	Ways	Max Current (A)	Rated Insulation Voltage (V)	Gear Tray Dimensions	Metering Space (D)	Cover Assembly Dimensions (HxWxD)	Base (Cut out size) Dimensions (HxW)
VMC34	Shallow	34	63	1000	320x248mm	84mm	800x402x35mm	754x355mm
VMC34D	Deep	34	63	1000	320x248mm	128mm	800x402x77mm	754x355mm
VMC51	Shallow	51	63	1000	320x248mm	84mm	800x402x35mm	754x355mm
VMC51D	Deep	51	63	1000	320x248mm	128mm	800x402x77mm	754x355mm

Data and Communication Board

Code	Style	Cover Assembly Dimensions (HxWxD)	Base (Cut out size) Dimensions (HxW)
VMD	Shallow	800x402x35mm	754x355mm

Surface Mount Enclosure - coming soon...

Code	Style	Dimensions (HxWxD)	Compatibility
VMCC	Shallow	814x411x105mm	Designed to fit VMC34, VMC51 and VMD Boards

Key Features



**NZ Designed and
Manufactured**

Stocked in the
North & South island.

Standard Stud Width

Designed to fit between standard 400mm stud centres — perfect for standard single storey and two storey houses.

Comes with M6 neutral stud with self tapping screw to fit to gear tray, giving the flexibility to use this for connecting the Neutral feed.

The neutral bar has 4x 7.5mm diameter holes which easily cater for a 25mm² cable.

Easy Mounting

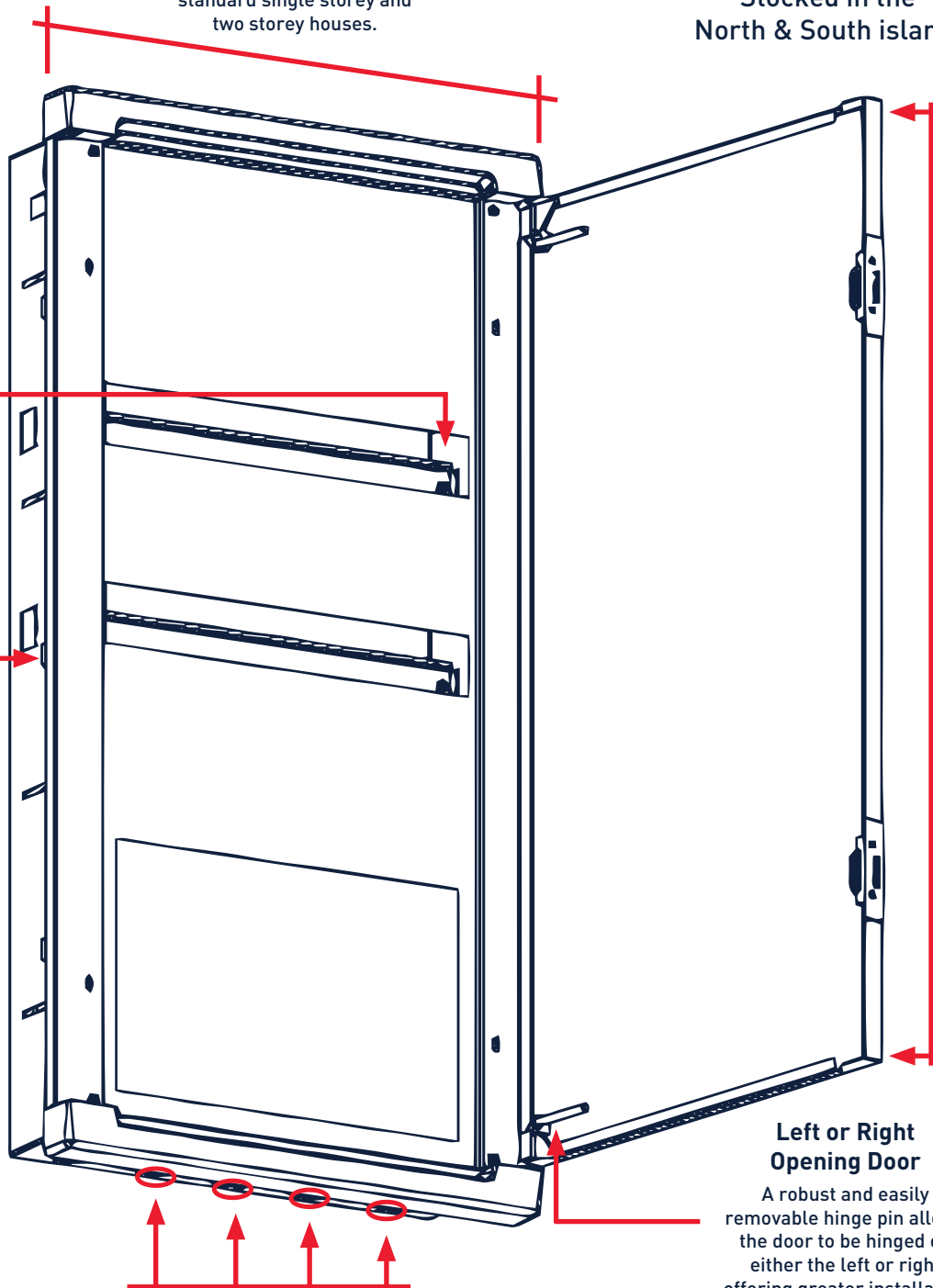
Custom-designed location stops on the DIN rail make mounting breakers in the right place easy.

Easy installation

Fold out tabs set the board at the right height from framing to accommodate for installation with standard plasterboard.

Uniform Look

Data and communications boards share an identical look and size with the 34 and 51 way deep or shallow combined meter boards.



**Rotatable
Boards**

Left or Right Opening Door

A robust and easily removable hinge pin allows the door to be hinged on either the left or right offering greater installation flexibility.

Cable entry holes top and bottom supplied with solid and open caps for easy and safe cable installation.



VYNCO

Looking after NZ for over 25 years

Vynco is proudly New Zealand owned and operated, with 100-strong team servicing the local community. Our in-house research and development team designed the VM series boards in consultation with kiwi electricians to create a range of boards to suit the needs of New Zealand's electrical industry.

Auckland

9 Levene Place, Mt Wellington, Auckland 1061
PO Box 12 249, Penrose, Auckland 1642
P (+64) 9 525 6051 F (+64) 9 525 5799
E sales@vynco.co.nz

Christchurch

388-396 Tuam Street, Phillipstown, Christchurch 8011
PO Box 9022, Tower Junction, Christchurch 8149
P (+64) 3 379 9283 F (+64) 3 379 6838
E sales@vynco.co.nz



find us:   #VYNNOVATION