

VYNCO

88PIRM SENSOR MODULE

ELECTRICAL SPECIFICATIONS	
Supply Voltage Range	220-240Va.c. 50Hz
Load Rating	800W Incandescent
	150W LED's
	250W Fluorescent
	150W Fan/motor
Operating temp	Range 5°C - 40°C
Humidity	Indoor use only
Wire size	3 x 0.75mm ²
TIMING AND LUX SPECIFICATIONS	
Minimum ON time	5 seconds
Maximum ON time	30 minutes
Lux range	10 – 2000 Lux
Field of view	120° Horizontal, 70° Vertical
Maximum range	5 meters



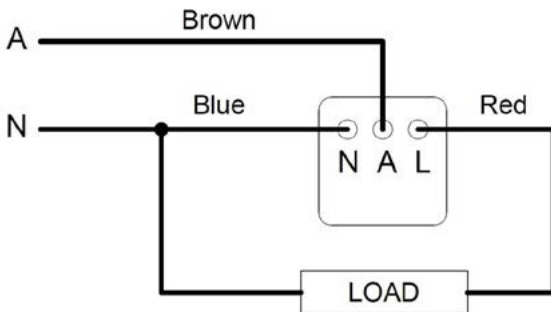
INSTALLER NOTES

Always turn off the power at the circuit breaker (MCB) to isolate the circuit before wiring or changing the PIR module. The 88PIRM must be used in conjunction with an accessible Isolator or MCB.

All wiring is required to be carried out by a licensed or registered Electrical contractor to the latest AS/NZS3000 wiring rules

- Suitable for all load types including – motors, small fans, LEDs, compact fluorescents etc.
- Repair – This product does not contain user serviceable parts
- Complies with AS/NZS 60950.1:2011 + A1: 2012 and AS/NZS CISPR15.1:2006
- Compatible with all common Vynco, Logix, Fusion and Clipsal wall plates

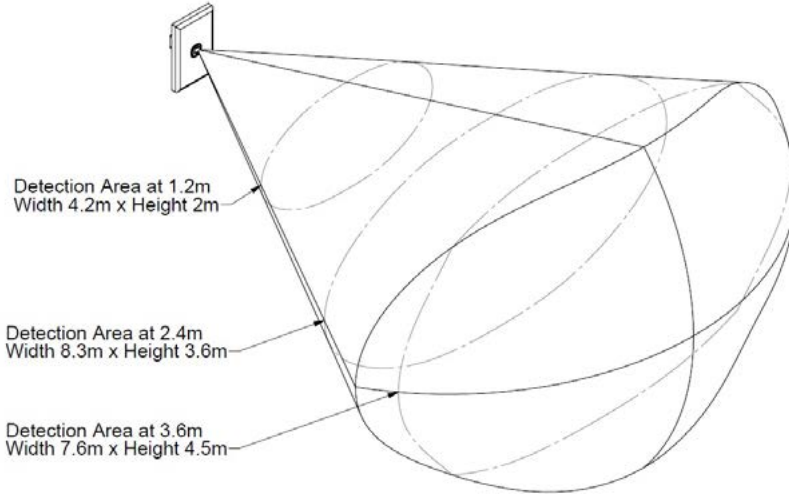
WIRING



WARRANTY STATEMENT

The 88PIRM is guaranteed for a period of 5 years from the date of purchase against defects in workmanship and materials. Defects will be rectified by replacement of the product. This warranty becomes null and void if in our opinion the product has been misused, incorrectly installed, tampered with, or subject to power surges. The warranty does not include any labour or other associated expenses that may be involved in removal or installation of the product. To obtain a replacement under this guarantee, return the goods (prepaid) to the place of purchase (proof of purchase must be supplied).

FIELD OF VIEW DIAGRAM



SETTING ADJUSTMENTS

Time:

- Turning the time dial counter-clockwise decreases the time to a minimum of 5 seconds.
- Turning the time dial clockwise increases the time to a maximum of 30 minutes.
- Ideal is around 10 minutes for most applications

Lux:

- Turning the Lux dial too far clockwise may cause the sensor to only operate in complete darkness
- Turning the Lux dial too far anti-clockwise the sensor to operate only in during daylight
- Ideal is to have the dial set around day rather than night



Test mode:

When the test button is pressed the unit automatically goes into test mode for 5 minutes.

- In test mode the timer is pre-set to 5 seconds and the Lux setting is set to maximum. This is to allow the installer to check the "field of view" and operation of the PIR in daylight conditions

Setup:

Once the operation has been tested by using the "Test mode" set the desired time via the time dial and then set the lux dial to the required level before the unit stops detecting movement.

Vynco Industries (NZ) Ltd

www.vynco.co.nz

Christchurch

PO Box 9022, Tower Junction
Christchurch 8149
388 - 396 Tuam Street, Christchurch, 8011
P +64 3 379 9283 F +64 3 379 6838
E chchsales@vynco.co.nz

Northern Region / Auckland

PO Box 12 249
58 Walls Road, Penrose
Auckland 1061
P +64 9 525 6051 F +64 9 525 5799
E vyncoauck@vynco.co.nz