

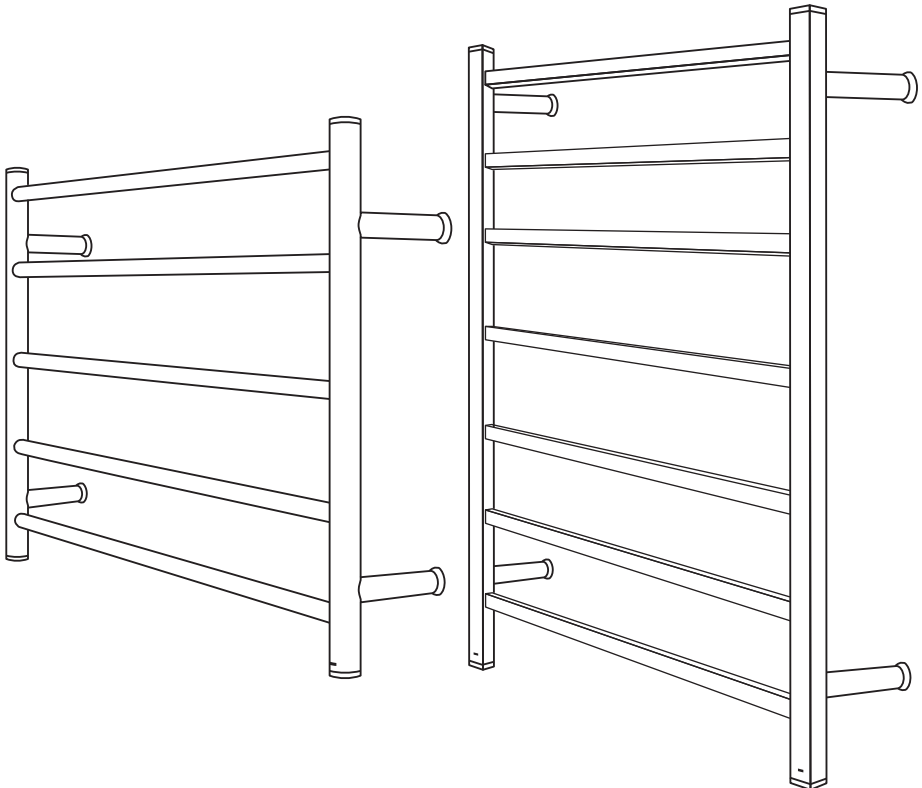
# VYNCO



# VHC5R, VHC7R, VHC5S, VHC7S

CAPRI HEATED TOWEL RAILS

## INSTALLATION & OPERATING INSTRUCTIONS



## YYNCO CAPRI HEATED TOWEL RAILS

### INTRODUCTION

Vynco Capri Towel Rails are designed and produced by a company that prides itself on design excellence and quality manufacturing.

	VHC5R	VHC7R	VHC5S	VHC7S
Tube Profile	Round		Square	
Quantity of Bars	5	7	5	7
Appliance Class	Class 1 - earth is required			
Rated Voltage	230-240V AC			
Frequency (Hz)	50Hz			
Rated Current (Amps)	0.21A	0.29A	0.21A	0.29A
Rated Power (Watts)	50W	70W	50W	70W
Power Control / Adjustment	Switch Low (35W) High (50W)	Switch Low (50W) High (70W)	Switch Low (35W) High (50W)	Switch Low (50W) High (70W)
Wiring	Hard Wired - Phase, Neutral and Earth (Male/Female Connector & Cord Set Provided)			
IP Rating	IP65 - Indoor use only			
Overall Dimensions (H x W x D)	560 x 630 x 125mm	785 x 630 x 125mm	560 x 630 x 125mm	785 x 630 x 125mm
Product Approvals / Compliance	AS/NZS60335.2.43 & AS/NZS60335.1			

Vynco reserves the right to alter specifications without notice.

## YYNCO CAPRI HEATED TOWEL RAILS

### SAFETY INFORMATION

- This appliance is not intended for use by persons (including children) with reduced physical, sensory or mental capabilities, or lack of experience and knowledge, unless they have been given supervision or instruction concerning use of the appliance by a person responsible for their safety.
- When using any electrical appliance, safety precautions should always be observed. Read these instructions carefully, and retain for future reference.
- When used by, or near, young children or infirm persons, supervision is necessary and young children should be supervised to ensure that they do not play with the appliance.
- Use this appliance only with the voltage specified on rating label.
- Do NOT use this appliance other than for its intended use.
- Do NOT touch hot surfaces or moving parts.
- Do NOT probe any opening.
- Do NOT allow the supply cord to come into contact with heated surfaces during operation.
- Regulations require that electrical work be carried out by authorised persons. For your own safety and that of others, ensure this is done.
- If the supply cord is damaged, it must be replaced by Vynco, an approved service agent or a similarly qualified person in order to avoid a hazard.
- Warning: In order to avoid a hazard for young children, this appliance must be installed so that the bottom of the rail is at least 600mm above the floor.

### CAUTION

When the towel rail is operated ensure it is not obstructed in any way. Ensure the heater can operate safely, should the heater switch on automatically if a timer activates the heater.

## YYNCO CAPRI HEATED TOWEL RAILS

### TOWEL RAIL INSTALLATION - ROUND AND SQUARE

The installation must be performed by a licensed electrician.

This appliance MUST be installed in accordance with relevant wiring rules and regulations which cover the installation of appliances and accessories in damp situations, such as bathrooms, showers, laundries and other areas, fixed water containers (in Australia and New Zealand these are covered in the AS/NZS 3000 Wiring Rules. A suitable switch or isolation device MUST be incorporated in the supply wiring.

The Capri Towel Rails are rated IP65 and are designed to operate continuously in the damp environments of a bathroom. With more room to hang folded or thicker towels and with fast connection from either side without rewiring.

#### Power ON Indicator

Your heated towel rail is fitted with a blue indicator light which shows that the rail is turned on and operating.

#### Before Installing the Towel Rail:

Remove all the packing material from around the towel rail and retrieve the white parts box from inside the large gift box. Establish a suitable position on the wall for attaching the towel rail, with at least two of the leg mounting brackets aligned with wall studs or dwangs where available.

#### Installation Distances

In order to avoid a hazard for young children, this appliance should be installed so that the bottom rail is at least 600mm above the floor. The side frames of the Towel Rail should be mounted vertically, with the heated rails horizontal and the supply cord at the bottom.

### SURFACE / EXPOSED CABLE INSTALL

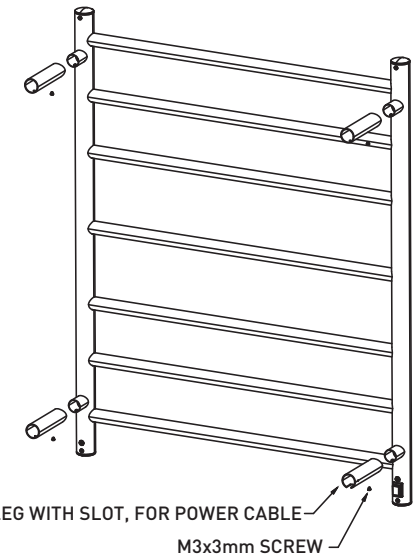
1. Establish a suitable position on the wall for attaching the Towel Rail, with at least two legs aligned with wall studs or dwangs if possible. Ensure that a power supply/switch plate connection is available nearby to one of the lower towel rail legs.

2. Connect wiring pigtail to either lower leg plug as desired, ensuring that the remaining plug is blanked with the Connector Cap.

## YYNCO CAPRI HEATED TOWEL RAILS

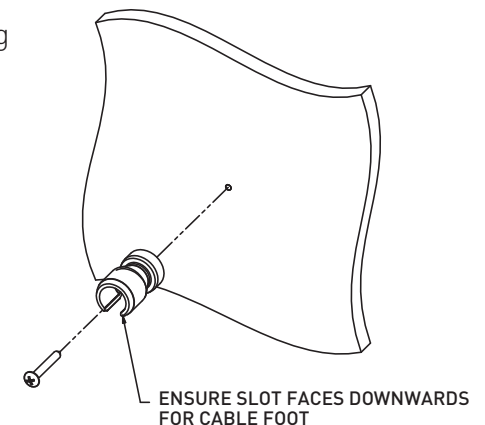
3. Fit towel rail steel legs to the unit, using the slotted leg where power input cable is. Fix using M3x3mm screws, aligning screws with the dimple in towel rail leg mounts.

4. Mark out position for centres of towel rail legs/feet on wall, paying attention to requirements in Step 1. See the table below for hole centres of each towel rail.



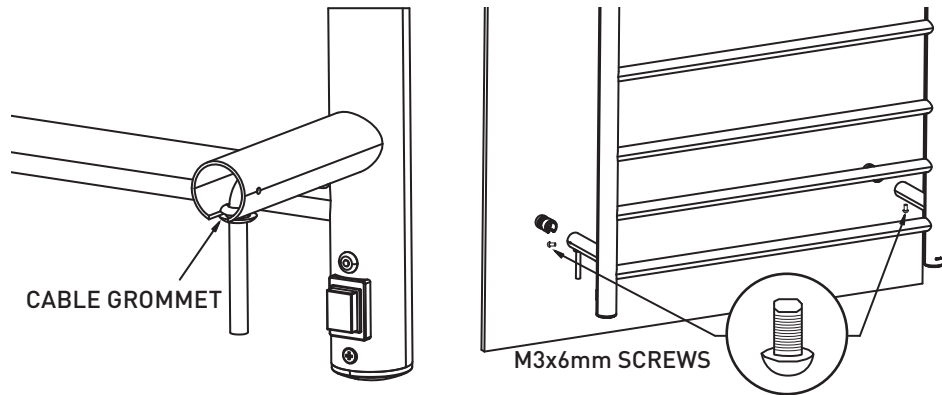
TOWEL RAIL	MOUNTING FEET CENTRES
VHC5R	598W x 370H mm
VHC5S	598W x 370H mm
VHC7R	598W x 610H mm
VHC7S	598W x 610H mm

5. Pre drill (if required) and screw 4x "standard" mounting feet into the wall in marked positions. Use wall plugs if required. Ensure that the one used for cable connection has the open side facing downwards.



## VYNCO CAPRI HEATED TOWEL RAILS

6. Run power cable out of slotted leg via cable grommet, as shown to the right. Fit towel rail over the feet and affix using M3x6mm screws.

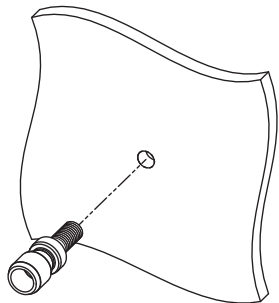


7. Terminate power cable to supply switch plate, in accordance with the AS/NZS 3000 wiring rules.

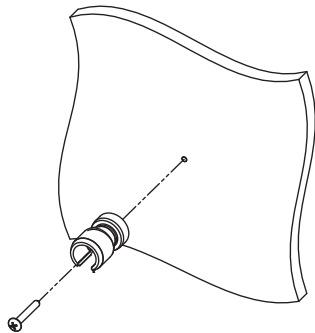
## CONCEALED CABLE INSTALL

1. Follow "Surface/Exposed Cable Install" Steps 1-4, however for the power input leg, drill 11mm hole in the wall and again ensure that power supply/flush box connection is near this leg.
2. Screw in threaded foot into 11mm hole.
3. Pre drill (if required) and screw 3x remaining "standard" mounting feet into the wall in marked positions. Use wall plugs if required.

2.



3.

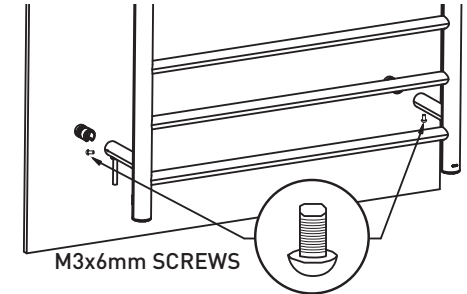


ENSURE SLOT FACES DOWNWARD

## VYNCO CAPRI HEATED TOWEL RAILS

4. Thread power cable through threaded foot, then fit towel rail onto all feet and affix using M3x6mm screws, see bottom left.

5. Run power cable to supply flush box/switch and terminate, in accordance with AS/NZS 3000 wiring rules.



## OPERATION

The Capri Towel Rail will take approximately 45 minutes to reach normal operating temperature and can be left running continuously.

## CARE

The Capri Towel Rail is best wiped down from time to time with a damp cloth.

Do NOT use any abrasive or corrosive cleaners.

Isolate the heater from the mains supply before carrying out any cleaning. This heater contains no user serviceable parts. Please contact Vynco for warranty details.

## ITEM DESCRIPTION - QUANTITY

- |                                                                     |                                       |
|---------------------------------------------------------------------|---------------------------------------|
| 1. Mounting legs - x4                                               | 7. Mains cord and connector - x1      |
| 2. Cable mounting foot - x1 (optional concealed cable installation) | 8. Alan key - x1                      |
| 3. Standard mounting feet - x4                                      | 9. Wall plugs - x4                    |
| 4. Leg fixing screw (short) - x4 (M3 X 3 hex)                       | 10. Concealed cord connector cap - x1 |
| 5. Wall fixing screw (long) - x4                                    | 11. Cable grommet - x1                |
| 6. Foot fixing screw (grub) - x4 (M3 x6 hex)                        |                                       |

## VYNCO CAPRI HEATED TOWEL RAILS

---

---

### **VYNCO INDUSTRIES (NZ) LIMITED**

#### **CHRISTCHURCH**

388 Tuam Street, Phillipstown,  
Christchurch, 8011  
PO Box 9022, Tower Junction,  
Christchurch 8149  
New Zealand  
P +64 3 379 9283

E:sales@vynco.co.nz

#### **AUCKLAND**

9 Levene Place, Mount  
Wellington  
PO Box 12 249, Penrose,  
Auckland 1061  
New Zealand  
P +64 9 525 6051

**VYNCO.CO.NZ**

INSV0169 | 02/2024

---