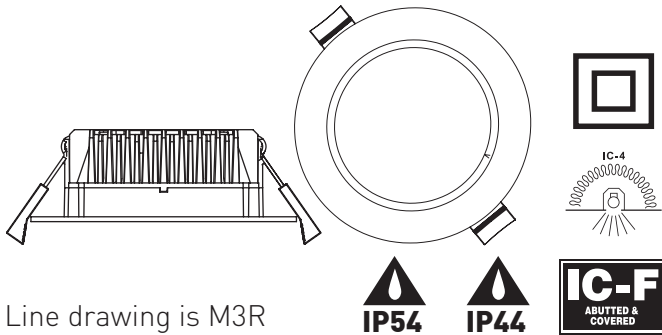


M3R/M6R - RECESSED MCQUEEN LED DOWNLIGHTS



Line drawing is M3R

SPECIFICATIONS

Rated Operational Voltage	200-240V AC 50Hz
Colour Temperature	3000K / 4000K / 5700K
IP Rating (Front Body)	IP54 (M6R) IP44 (M3R)
IK Rating	IK06
Material	Aluminium
Other specifications such as wattage & lumen output differ across the McQueen range. For individual McQueen specifications, refer to our website at vynco.co.nz	

DIMENSIONS

Code	M3R	M6R
Diameter	Ø 110mm	Ø 170mm
Cut-Out	Ø 90-100mm	Ø 140-150mm
Depth	38mm	45mm

SAFETY

To ensure correct function and safety, please read carefully before installing the product:

1. Turn off power supply before doing any maintenance work.
2. Check you have all tools and accessories to complete the installation correctly.
3. Do not install any luminaire near a heat source.
4. Do not exceed the nominal supply voltage or amperage ratings.
5. Take care not to pull any electrical wires during unpacking as this may damage the connection.
6. Lay out all the components on a smooth surface and make sure there are no components missing before assembling.
7. To avoid injury or damage to the fitting, please ensure that power leads and screws are secure before connecting the power.
8. All wiring and installation of the light fitting must adhere to AS/NZS 3000 Wiring Rules.

WARRANTY

The McQueen Recessed LED Downlights is guaranteed for a period of 3 years from the date of purchase. This warranty protects against defects in workmanship and material.

Any defects will be rectified by replacement if the goods are returned to place of purchase, with proof of purchase, with a brief explanation of the experienced fault.

The warranty does not include compensation for any associated expenses involving installation or removal, such as labour or travel.

This warranty becomes null and void if, in our opinion, the product has been misused, tampered with, incorrectly installed, or subjected to power surges.

NOTE: This product contains NO user serviceable parts.

VYNCO INDUSTRIES (NZ) LIMITED

CHRISTCHURCH

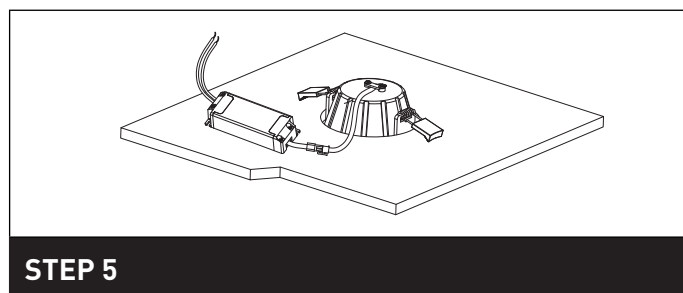
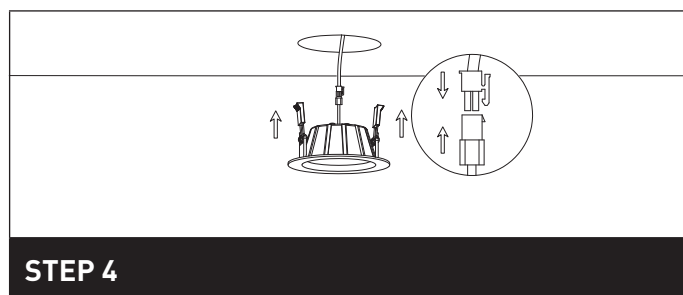
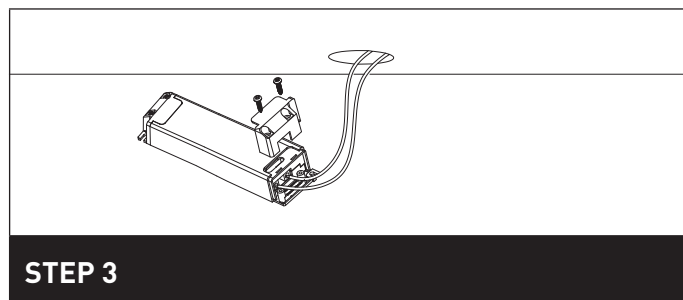
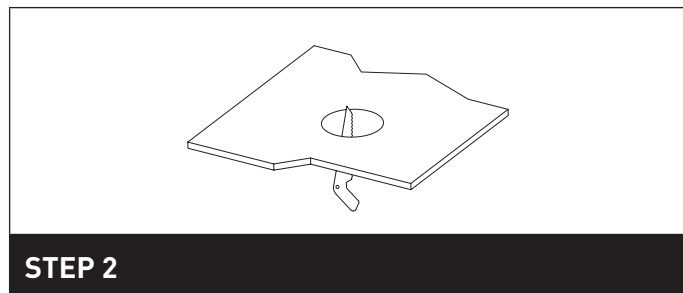
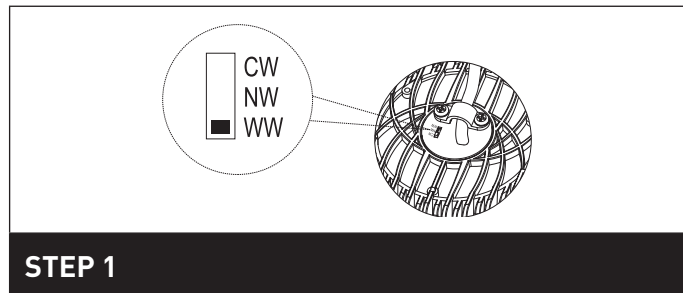
388 Tuam Street, Phillipstown, Christchurch, 8011
PO Box 9022, Tower Junction, Christchurch 8149
New Zealand
P +64 3 379 9283
E sales@vynco.co.nz

VYNCO.CO.NZ

AUCKLAND

9 Levene Place, Mount Wellington
PO Box 12 249, Penrose, Auckland 1061
New Zealand
P +64 9 525 6051

M3R/M6R - RECESSED MCQUEEN LED DOWNLIGHTS



INSTALLATION PROCEDURE

NOTE: Installation and maintenance should only be completed by a registered electrician.

STEP 1

Select the desired colour temperature before installation.

STEP 2

Cut a hole in the desired location according to product label.

STEP 3

Use a screwdriver to open the driver terminal cover, feed the main AC wire L.N. in terminal block respectively, then fix the cover back on.

STEP 4

Connect the downlight to the driver, hold back the spring clips then push the downlight into the hole.

STEP 5

Make sure the downlight is fixed correctly in the ceiling, then turn on the power.