

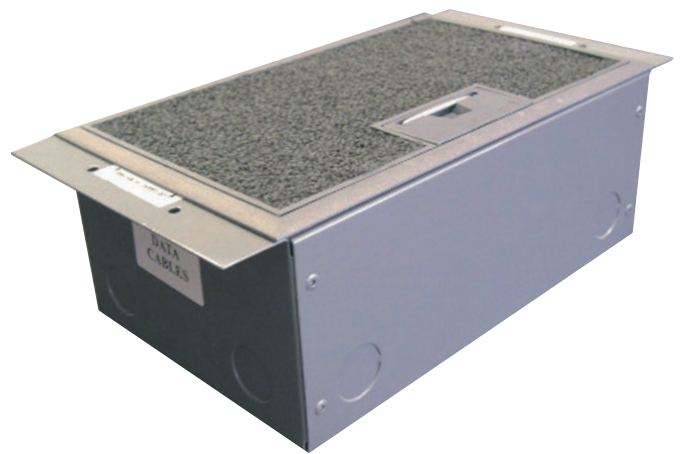
# FFOB-520S FLOOR BOX

Compact and stylish flush floorbox providing power to open plan areas. Two cord outlet ports fold into box to allow cables to exit when in use.

**MOULDED POLYAMIDE GREY LID**

**8 MM REBATE FOR FLOORING**

**BEVELLED EDGE: CONCEALS THE CUT EDGE OF THE CARPET OR FLOORING BELOW**

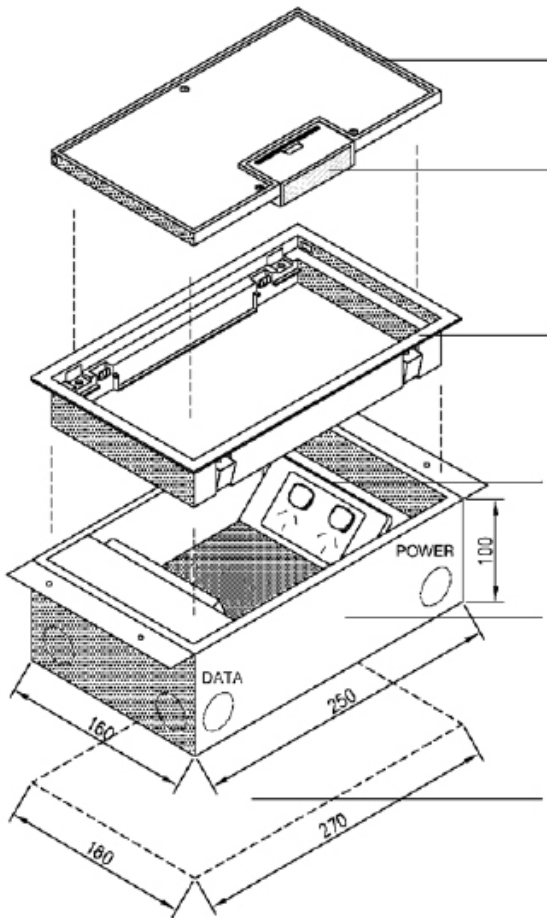
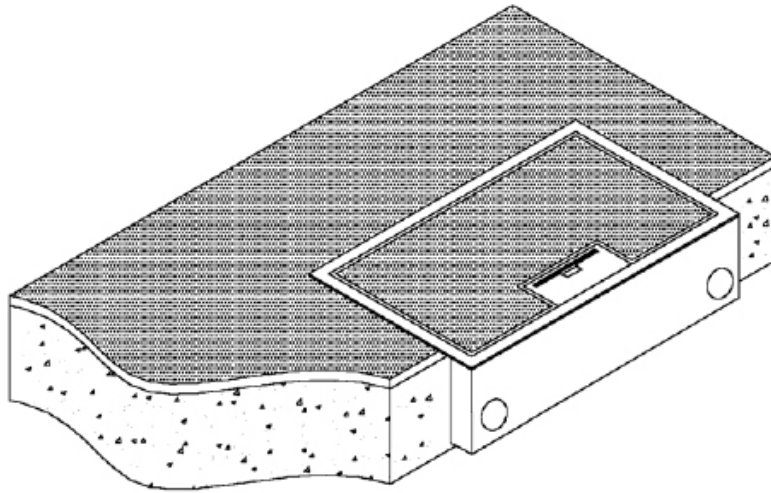


**LID SIZE:** 160 x 260 mm

**BOX BODY SIZE:** 250 x 160 x 100 mm

**SUPPLIED WITH:** 2 standard size outlets

## FFOB-520S ASSEMBLY



Moulded Polyamide lid with steel insert plate (8mm carpet rebate).

Cable flap with dust guards and recessed handle.

Moulded frame assembly with 10 mm carpet protective side edges.  
Frame size ( 260 mm x 160 mm).

Standard size outlets mounted to powdercoated mild steel backing plate

Powdercoated steel box  
(250 mm x 160 mm x 100 mm deep)  
8 No 25 mm diameter conduit knockouts.  
The box body can be cast directly into concrete slab or a preformed recess.

Preformed recess size  
(210 mm x 180 mm 110 mm deep) Nominal.

All dimension quoted are nominal only. Drawings, images and text are for illustrative purposes only and product details and dimensions are subject to change without notice.

This product is not suitable for use in wet areas, is intended for use with fixed wiring only and must be installed by a licensed Electrical Mechanic in accordance with AS 3000, SAA Wiring Rules and A.C.M.A. requirements.