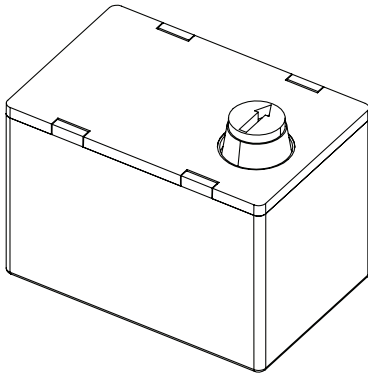


VFT90

RUN ON TIMER

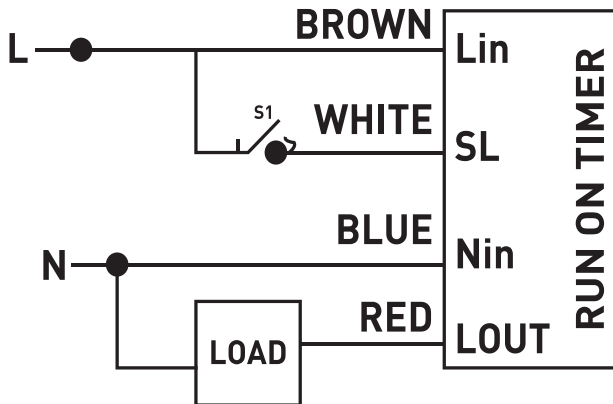


SPECIFICATIONS	
Supply Voltage	230-240V AC 50Hz
Maximum Load Rating	500W Motor / Fan
Minimum Load Rating	0W
Fan Motors	Compatible with Standard and Capacitor Start Fan
Operating Temperature	-10° to 60°C
Timer	1 to 90 minutes

INSTALLATION & OPERATING INSTRUCTIONS:

- This product should be installed by a suitably qualified person in accordance with Australian and New Zealand Wiring rules.
- Always turn off the power at the circuit breaker before installation or adjusting any settings.
- This timer module is designed to be enclosed within a wall mounted electrical flush box or suitable electrical junction box.
- Wire the Fan Timer as per the supplied diagram.
- Set the desired time for the fan to run on after the wall switch is turned off using the dial.
- Enclose the run on timer inside the electrical flush box or junction box ensuring input terminals and wires are not accessible when product is in use.
- Test product safety and operation.

WIRING DIAGRAM:



WARRANTY STATEMENT:

This product is covered by the standard 12 months Warranty - proof of purchase is required. Please contact Vynco for details of returns procedure.
NOTE: This product contains NO user serviceable parts.



Vynco Industries (NZ) Limited

Christchurch Office

388 Tuam Street, Phillipstown, Christchurch, 8011
PO Box 9022, Tower Junction, Christchurch 8149
New Zealand
P +64 3 379 9283 F +64 3 379 6838
E sales@vynco.co.nz
www.vynco.co.nz

Auckland Office

9 Levene Pl, Mount Wellington
PO Box 12 249, Penrose, Auckland 1061
New Zealand
P +64 9 525 6051 F +64 9 525 5799
E sales@vynco.co.nz
www.vynco.co.nz