

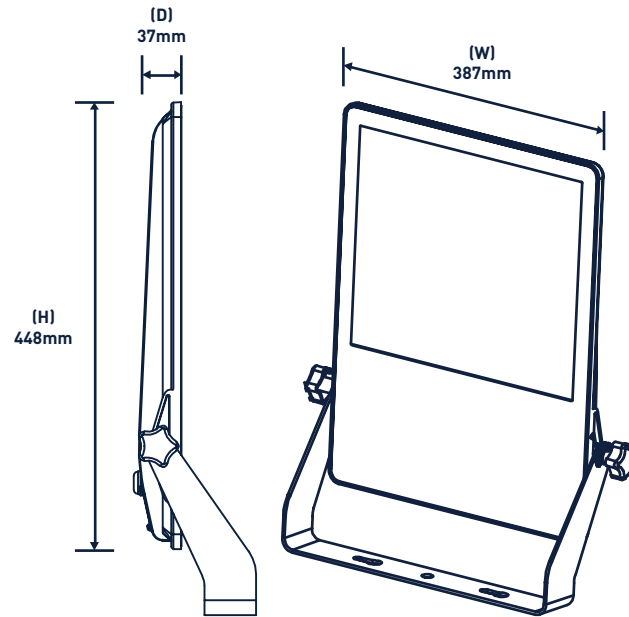
# INTRODUCING THE WILLIS

LED FLOODLIGHT SERIES



IP66 dust-tight, and protected against powerful water jets.





\*Showing dimensions for the WILLIS200



Bracket designed to be easily fixed to a structure, without having to remove the light.  
50,000 Lifetime hours under normal conditions.

## LED Floodlights

Code	Power (W)	Lumen Output (lm)	Beam Angle	Colour Temp. (K)	IP Rating	Height (mm)	Width (mm)	Depth (mm)
WILLIS50	50	6000	120°	5000	IP66	200	211	30
WILLIS100	100	12,000	120°	5000	IP66	250	260	30
WILLIS150	150	18,000	120°	5000	IP66	313	309	35
WILLIS200	200	24,000	120°	5000	IP66	448	387	37

• 3 Year Warranty

\*All Willis LED Floodlights supplied with 1m flex (stripped and tinned)

## Junction Boxes

Code	Height (mm)	Width (mm)	Depth (mm)	Material	IP Rating
49040201	80	80	52	Glass Fibre Reinforced Polycarbonate	IP65

Code	Height (mm)	Width (mm)	Depth (mm)	IP Rating
33240701	75	75	37	IP55*

\*IP55 when used with a suitable silicon sealant or PVC conduit glue



## Distance Gripper Clip

Code	Conduit Ø (mm)	Box Qty.	Material
30800	20	200	Halogen Free PA 6, UV-Stabilised
30840	25	100	



## Single Fastening Clamp

Code	Clamping Range (mm)	Box Qty.	Material
30140	20-25	200	Halogen Free PP, UV-Stabilised



## Dowel Fastening Nail

Code	Nail Length (mm)	Box Qty.	Material
30340	40	200	Halogen Free PA 6, UV-Stabilised



## Board Anchors

Code	Length (mm)	Screw Ø (mm)	Box Qty.	Material
9080	30	3.5-4.5	100	Galvanised Steel
9082	43	3.5-4.5		



\*\*All trade prices (\$) exclude GST



# VYNCO

## **Auckland Office**

9 Levene Place, Mt Wellington, Auckland 1061  
PO Box 12 249, Penrose, Auckland 1642  
P (+64) 9 525 6051 F (+64) 9 525 5799  
E [sales@vynco.co.nz](mailto:sales@vynco.co.nz)

## **Christchurch Office**

388-396 Tuam Street, Phillipstown, Christchurch 8011  
PO Box 9022, Tower Junction, Christchurch 8149  
P (+64) 3 379 9283 F (+64) 3 379 6838  
E [sales@vynco.co.nz](mailto:sales@vynco.co.nz)

find us:   #VYNNNOVATION