

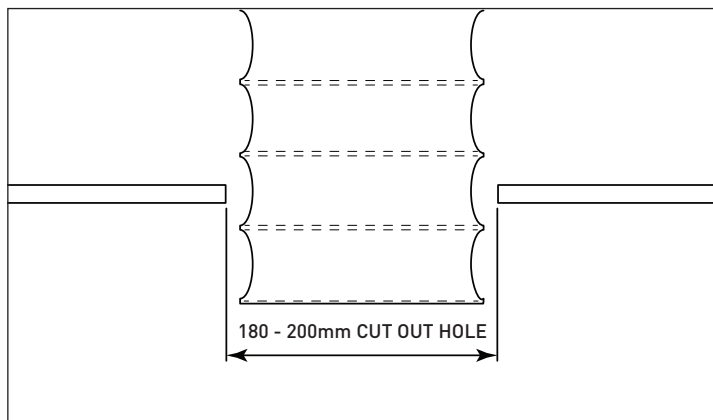
BOND MAGNETIC GRILLE AND BASE

INSTALLATION:

Please familiarise yourself with the contents of this instruction sheet before installing this grille and base.

Step 1:

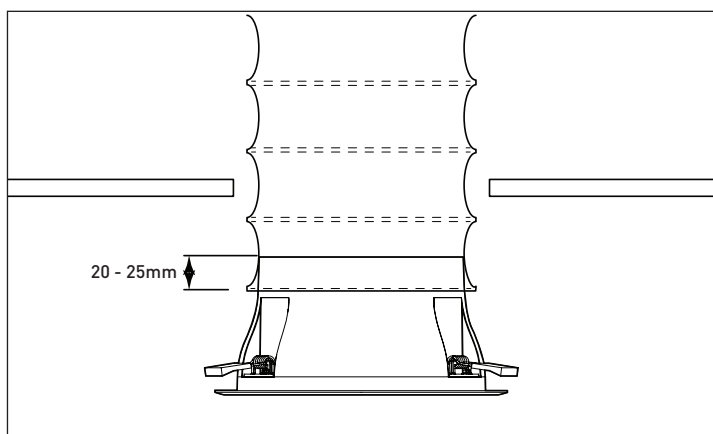
Cut a 180mm to 200mm diameter hole in the ceiling and pull the 150mm duct through.



Step 2:

Slide the duct over the grille base.

Caution: Only slide the duct down 20mm to 25mm and leave plenty of room for the tape to seal.

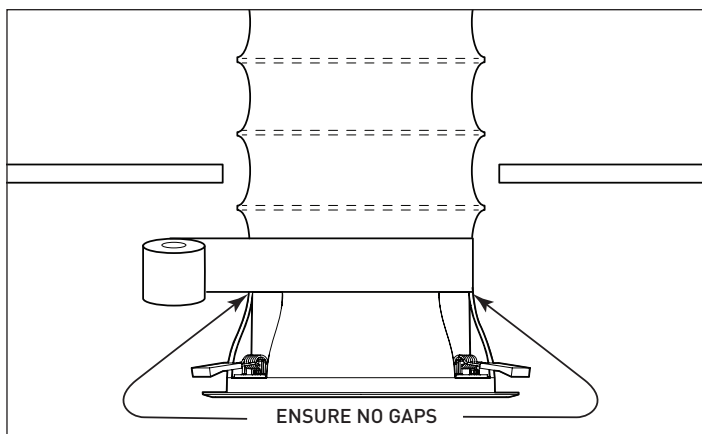


BOND MAGNETIC GRILLE AND BASE

Step 3:

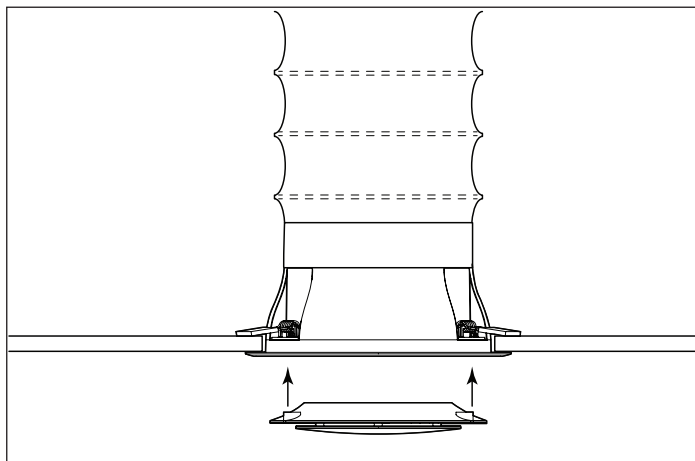
Tape the duct to the grille base ensuring there is no gaps between the duct and base.

Caution: Check there is no gaps between the tape and base to prevent moisture from escaping from the duct into the ceiling space.



Step 4:

Fit the grille base and duct into the ceiling and fit the supplied grille.



Vynco Industries (NZ) Limited

Christchurch Office

388 Tuam Street, Phillipstown, Christchurch, 8011
PO Box 9022, Tower Junction, Christchurch 8149
New Zealand
P +64 3 379 9283 F +64 3 379 6838
E sales@vynco.co.nz
www.vynco.co.nz

Auckland Office

9 Levene Place, Mount Wellington
PO Box 12 249, Penrose, Auckland 1061
New Zealand
P +64 9 525 6051 F +64 9 525 5799
E sales@vynco.co.nz
www.vynco.co.nz