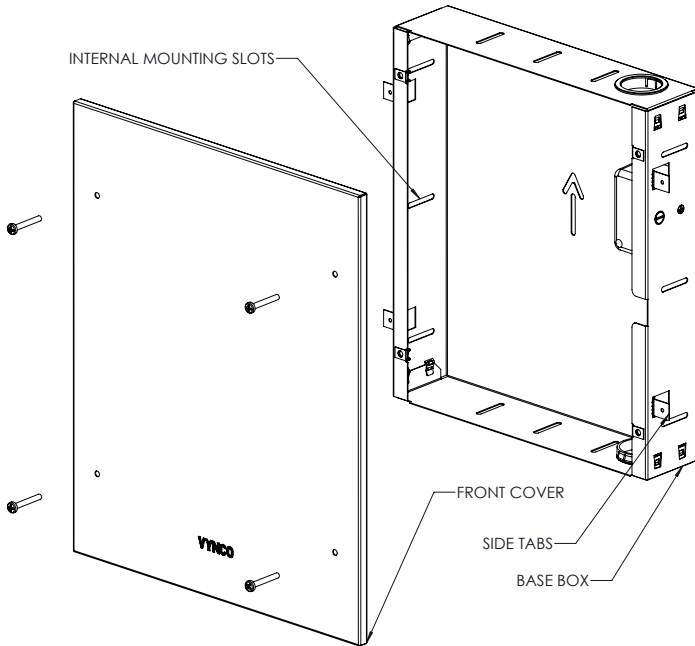


VMEVBT

VMEVBT VMEV BOX AHEAD KIT WITH TEMPORARY COVER



This instruction covers the installation and safe termination of wiring for the VMEV Box Ahead kit only. For full VMEV charging installation please refer to appropriate instruction manual.

VMEVBT

SAFETY PRECAUTIONS

To ensure your safety, please read and follow all instructions carefully.

Always isolate the power before installation or doing any maintenance work.

Do not install this Box Ahead Kit in a position where the final charger may get damaged from vehicles, bikes, machinery, or other moving objects.

Ensure there is adequate clearance around the mounting position for safe operation of the EV charger.

This product must be installed and wired according to the AS/NZS 3000 Wiring Rules and be ready for an EV charger to be installed to meet the Worksafe Electric Vehicle Charging Safety Guidelines – available at www.worksafe.govt.nz.

The EV charger must be permanently connected to a power supply and be supplied from a dedicated final sub-circuit.

MOUNTING POSITION

This Box Ahead Kit must be installed in a location and position suitable for the VMEV charger.

VMEV charger is suitable for indoor installation only.

Select a suitable mounting position on an indoor wall. The position must be at least 800mm above the floor or ground and 300mm from any wall or corner.

WARRANTY

This product is covered by the standard 3 Year Vynco Warranty - proof of purchase is required. Please contact Vynco for details of returns procedure.

NOTE: This product contains NO user serviceable parts.

VMEVBT

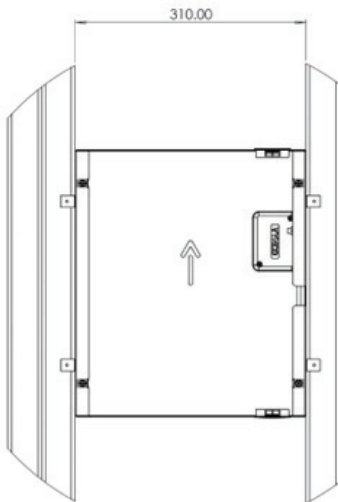
INSTALLATION INSTRUCTIONS

Isolate the power before installation

Switch power on only after complete

installation and examination of the circuit.

1. Frame the installation location to suit the dimensions of the base box. Ideal framing will allow the secure fixing of the base box on a minimum of two sides, leaving the top open for wiring installation.



2. Fold out the 4x side tabs of the base box. Insert the base box into the pre-prepared framing. Ensure the arrow is orientated upwards. The side tabs will stop the box at the correct height on the framing to align with standard 10mm wall linings.
3. Securely fasten the base box to the framing through the internal mounting slots.
4. Open the plastic junction box by removing the two securing screws. Pull the supply wiring through the top open bung and safely terminate the Phase and Neutral wires using the supplied single screw terminals.
5. Using the supplied double screw terminal connect the supply earth cable to the earth wire attached to the base box. Enclose all wiring terminations inside the plastic junction box and secure closed with two securing screws.

L = Live or Phase – Brown or Red
E = Earth – Green/Yellow
N = Neutral – Blue or Black
6. Finish wall lining around the base box. A standard 10mm wall lining should finish flush with the front sides of the base box leaving an open space for an EV charger to be installed in the future.
7. Secure the front white cover over the base box using the screws supplied. Ensure that screws are not over tightened as this will damage the cover.

VYNCO INDUSTRIES (NZ) LIMITED

CHRISTCHURCH

388 Tuam Street, Phillipstown, Christchurch, 8011

PO Box 9022, Tower Junction, Christchurch 8149

New Zealand

P +64 3 379 9283 F +64 3 379 6838

E sales@vynco.co.nz

VYNCO.CO.NZ

AUCKLAND

9 Levene Place, Mount Wellington

PO Box 12 249, Penrose, Auckland 1061

New Zealand

P +64 9 525 6051 F +64 9 525 5799