

## E1V2 EV Charger Installation Manual





## TABLE OF CONTENTS

| <b>CONTENTS</b>                            | <b>PAGE</b> |
|--|-------------|
| Carton Contents                            | 4           |
| Mounting Instructions                      | 4           |
| Installation Safety Precautions            | 5           |
| Wiring Instructions                        | 6           |
| Electrical Connections                     | 7           |
| Commissioning                              | 8           |
| Technical Specifications                   | 9           |
| Servicing and Replacement Parts / Warranty | 10          |

## CARTON CONTENTS

The following parts should be inside the carton:

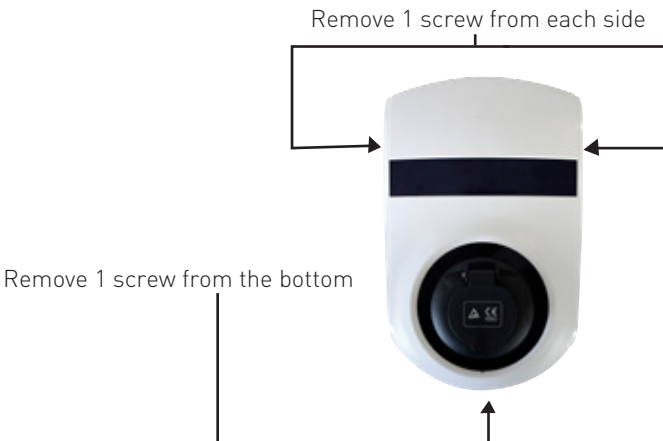
- E1V2 charger
- Black metal mounting plate
- Installation manual
- User operating manual
- Installation screws

If any of the parts are missing or damaged contact your supplier or Vynco for assistance before installing the charger.

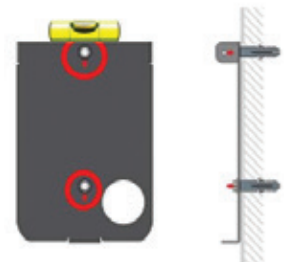
## MOUNTING INSTRUCTIONS

**To mount the E1V2 Electric Vehicle Charger on a wall:**

- Remove the black mounting plate from the charger.



- Select a suitable mounting position on a wall. The position must be at least 800mm above the floor or ground and 300mm from any wall or corner. Ensure the mounting plate is level – use a spirit level on the top face.
- Using the two mounting holes in the centre line of the plate, screw the black mounting plate to the wall using suitable mounting screws.
- Ensure the mounting plate is screwed securely into timber a wall stud or concrete.



## INSTALLATION SAFETY PRECAUTIONS

- This electric vehicle charger is designed to be installed in both indoor and outdoor areas. Avoid areas exposed to the extremes of weather.
- Do not install this charger where it may get damaged from vehicles, bikes, machinery or other moving objects.
- Ensure there is adequate clearance around the charger for safe operation.

## WIRING INSTRUCTIONS

### Caution:

This product must be installed and wired according to the Worksafe Electric Vehicle Charging Safety Guidelines – available at [www.worksafe.govt.nz](http://www.worksafe.govt.nz). All electrical connections are to be carried out by a New Zealand Registered Electrician.

This EV charger must be permanently connected to a power supply and be supplied from a dedicated final sub-circuit.

The final sub-circuit and EV charger must be protected by a suitable MCB and RCCB (Type B). This EV charger requires a Single Phase 32A Supply - (Phase, Neutral and Earth).

Vynco recommends that this EV charger is protected by a Type B RCCB fitted at the switchboard.

### Wiring:

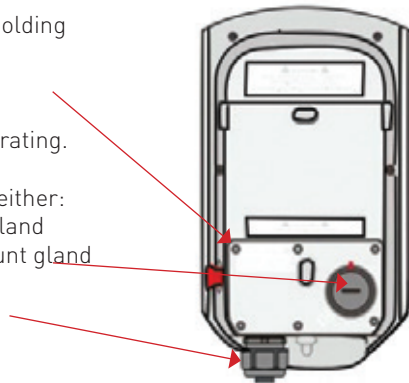
- Run the cabling to the EV Charger position:

|                |  |
|----------------|--|
| Back Wiring    | Run the cabling through the hole in the mounting plate into the wall cavity.                         |
| Surface Wiring | Run the cabling into the bottom of the EV charger. Only use the left hand gland (viewed from front). |

- On the EV charger remove the 6 screws holding on the back plate.

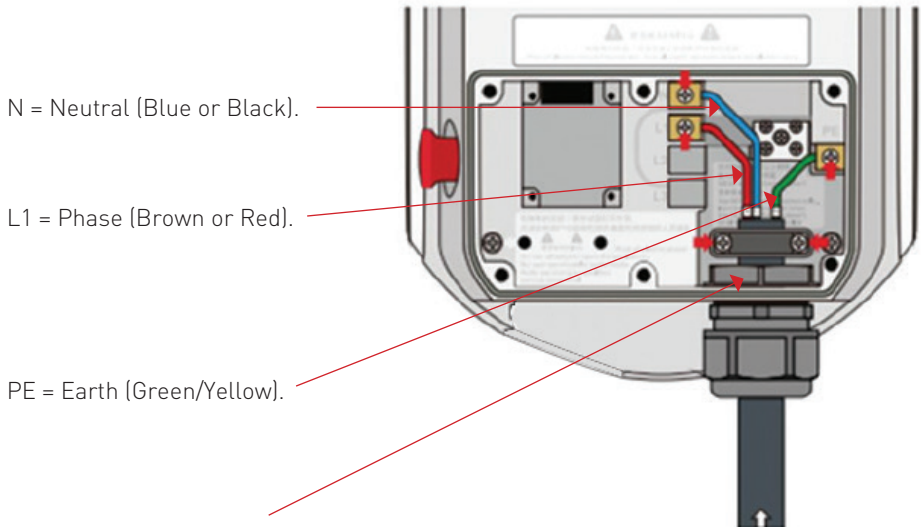
Caution – Do not lose the screws as they are required to maintain the IP rating.

- Incoming supply must enter the charger either:
  1. Through the back entry gland
  2. Through the surface mount gland



## ELECTRICAL CONNECTIONS

This charger requires a Single Phase 32A, Phase, Neutral and Earth supply.



If using the cable gland ensure the cable clamp adequately secures the incoming supply.

Do not remove any other screws or try to access the internal components.  
No user servicable parts are contained inside the charger.

- Replace the cover after wiring and secure with the 6 cover plate screws.
- Fit the charger back on the wall plate and replace the 3 mounting screws.

## COMMISSIONING

### Caution:

After installation the installer is required to ensure the EV charger functions and is safe to use.

- Ensure that the installation complies with the requirements listed in the WorkSafe New Zealand Electric Vehicle Charging Safety Guidelines.
- Verify that the RCD is correct for the installation – normally Type B 30mA. All Type B RCCBs have the following symbols on them.



- Verify that the overcurrent protection device is suitable for Single Phase - 32A.
- Verify that EV charger is in an area accessible to the electric vehicle for charging and it is minimum 800mm off the floor.
- Verify that there is an isolator located close to the EV charger and labelled.
- This EV charger must be tested to ensure that it operates.
- Check if the charger functions by charging an Electric Vehicle or use a specialised EV tester.
- Check if the earth monitoring system functions and turns the charger OFF if there is an Earth fault.
- Test the Type B RCCB using a RCD tester set up for testing a Type B RCD.

The SDoC for this product is available from [www.vynco.co.nz](http://www.vynco.co.nz)

Note: Commercial Installations may require that the EV charger is tested and tagged every 12 months.



## TECHNICAL SPECIFICATIONS - E1V2

|                                  |  |   |
|----------------------------------|--|---|
| <b>Electrical Ratings</b>        | Rated Input Voltage                                      | 230V a.c. +- 10% - Single Phase   |
|                                  | Frequency  | 50Hz  |
|                                  | Maximum Power  | 7.4kW   |
|                                  | Rated Current  | 32A maximum<br>(permanent connection)   |
|                                  | Standby Power  | <6W   |
| <b>Electrical Protection</b>     | RCCB Protection  | None supplied – Type B RCCB required to be fitted at the switchboard.<br>RCCB - minimum 32A – 2 Pole. |
|                                  | Additional Internal Protection                           | Under/Over Voltage, Short Circuit, Under/Over Temperature, Phase Protection                           |
|                                  | Equipment Protection Class                               | Class 1   |
| <b>Environmental Ratings</b>     | Suitable For Use   | Indoors or Outdoors.<br>Restricted access location  |
|                                  | Protection Rating  | IP54  |
|                                  | Working Temperature Range                                | -30°C to +55°C  |
|                                  | Working Humidity   | 5% to 95% without condensation  |
|                                  | Maximum Elevation  | <2000 Metres  |
|                                  | Average Mean Time Before Failure (MTBF)                  | 100,000 operations  |
|                                  | Overall Dimensions                                       | 211mm x 345mm x 122mm<br>(L x W x D)  |
|                                  | Installation   | Surface, wall or post mount<br>(post not provided)  |
| <b>Operational Ratings</b>       | Weight   | < 4.0kgs  |
|                                  | Activation Method  | Plug in and charging starts automatically after 20 seconds  |
|                                  | Emergency Disconnection                                  | Emergency Stop Button   |
|                                  | LED Status Indication                                    | Blue – Power Available<br>Green Flashing – Charging<br>Red Flashing – Fault                           |
| <b>Compliance / Instructions</b> | Charging Method  | Mode 3  |
|                                  | Electrical Standards Compliance                          | IEC 61851-1:2017,<br>IEC 61851-23 (Mode 3)  |
|                                  | Supplier Declaration of Conformity (SDoC) / Instructions | Available from - <a href="http://www.vynco.co.nz">www.vynco.co.nz</a>                                 |

## SERVICING AND REPLACEMENT PARTS

### **Servicing:**

The E1V2 Electric Vehicle Charger does not contain any user serviceable parts.

### **Replacement Parts:**

Only Vynco supplied replacement parts can be used to repair this electric vehicle charger. Contact Vynco for assistance.

## WARRANTY

This product is covered by the standard 3 year Vynco Warranty - proof of purchase is required.

Please contact Vynco for details of returns procedure.

NOTE: This product contains NO user serviceable parts.

*All contents and diagrams contained in this manual are copyrighted and are not to be reproduced in any form without written permission of Vynco Industries Ltd.*





**Christchurch Office**

388-396 Tuam Street, Phillipstown, Christchurch 8011  
PO Box 9022, Tower Junction, Christchurch 8149  
P (+64) 3 379 9283 F (+64) 3 379 6838  
E [sales@vynco.co.nz](mailto:sales@vynco.co.nz)

**Auckland Office**

9 Levene Place, Mt Wellington, Auckland 1061  
PO Box 12 249, Penrose, Auckland 1642  
P (+64) 9 525 6051 F (+64) 9 525 5799  
E [sales@vynco.co.nz](mailto:sales@vynco.co.nz)