

**SPECIFICATIONS**

Suitable for ceiling or wall mounting and suspending  
ABS Body & PC Cover, grey

Voltage: 220 to 240V a.c. 50Hz  
Wattage: 24W  
Lamp Type: HONGLI 2835  
Luminaire Class: Class 1  
Lumen Output: 2050 Lm  
Colour Temperature: 4000K  
Degree of Protection: IP65  
Suitable for indoor and outdoor applications  
LED Driver Approval No: TUV16078EA

**WIRING**

L = Live or Phase – Brown or Red  
E = Earth – Green or Green/Yellow  
N = Neutral – Blue or Black

**DIMENSIONS**

CODE	LENGTH (mm)	WIDTH (mm)	HEIGHT (mm)	WEIGHT (kg)	No. of clips
VU2	658	158	101	1.32	4

**SAFETY**

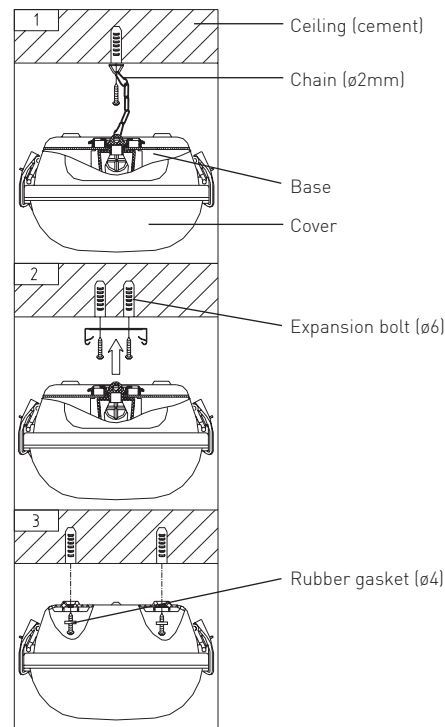
This product should be installed by a suitably qualified person in accordance with Australian and New Zealand Wiring rules. Always disconnect the power to the fitting before opening the cover. In the case of lamp failure, disconnect from mains supply and return to Vynco for service.

**WARRANTY**

This product is covered by the standard 3 year Vynco Warranty - proof of purchase is required. Please contact Vynco for details of returns procedure.  
NOTE: This product contains NO user serviceable parts.

**MOUNTING**

**CAUTION** - Ensure the IP rating is maintained when mounting on to any surface or suspending.



**SPECIFICATIONS**

Suitable for ceiling or wall mounting and suspending  
ABS Body & PC Cover, grey

Voltage: 220 to 240V a.c. 50Hz  
Wattage: 45W  
Lamp Type: HONGLI 2835  
Luminaire Class: Class 1  
Lumen Output: 3850 Lm  
Colour Temperature: 4000K  
Degree of Protection: IP65  
Suitable for indoor and outdoor applications  
LED Driver Approval No: TUV16078EA



**WIRING**

L = Live or Phase – Brown or Red  
E = Earth – Green or Green/Yellow  
N = Neutral – Blue or Black

**DIMENSIONS**

CODE	LENGTH (mm)	WIDTH (mm)	HEIGHT (mm)	WEIGHT (kg)	No. of clips
VU4	1268	158	101	2.82	8

**SAFETY**

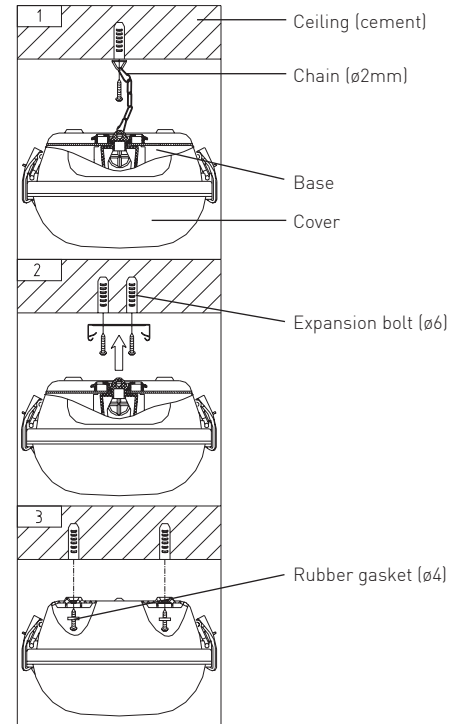
This product should be installed by a suitably qualified person in accordance with Australian and New Zealand Wiring rules. Always disconnect the power to the fitting before opening the cover. In the case of lamp failure, disconnect from mains supply and return to Vynco for service.

**WARRANTY**

This product is covered by the standard 3 year Vynco Warranty - proof of purchase is required. Please contact Vynco for details of returns procedure.  
NOTE: This product contains NO user serviceable parts.

**MOUNTING**

**CAUTION** - Ensure the IP rating is maintained when mounting on to any surface or suspending.



**SPECIFICATIONS**

Suitable for ceiling or wall mounting and suspending  
ABS Body & PC Cover, grey

Voltage: 220 to 240V a.c. 50Hz  
Wattage: 45W  
Lamp Type: HONGLI 2835  
Luminaire Class: Class 1  
Lumen Output: 3850\*/1155\*\* Lm  
Colour Temperature: 4000K  
Degree of Protection: IP65  
Suitable for indoor and outdoor applications  
LED Driver Approval No: TUV16078EA

\*Standard Lumen Output. \*\*When running on Emergency backup Lumen output is 30% of standard Lumen Output

**DIMENSIONS**

CODE	LENGTH (mm)	WIDTH (mm)	HEIGHT (mm)	WEIGHT (kg)	No. of clips
VU4E	1268	158	101	2.82	8

**SAFETY**

This product should be installed by a suitably qualified person in accordance with Australian and New Zealand Wiring rules. Always disconnect the power to the fitting before opening the cover. In the case of lamp failure, disconnect from mains supply and return to Vynco for service.

**WARRANTY**

This product is covered by the standard 3 year Vynco Warranty - proof of purchase is required. Please contact Vynco for details of returns procedure.  
NOTE: This product contains NO user serviceable parts.

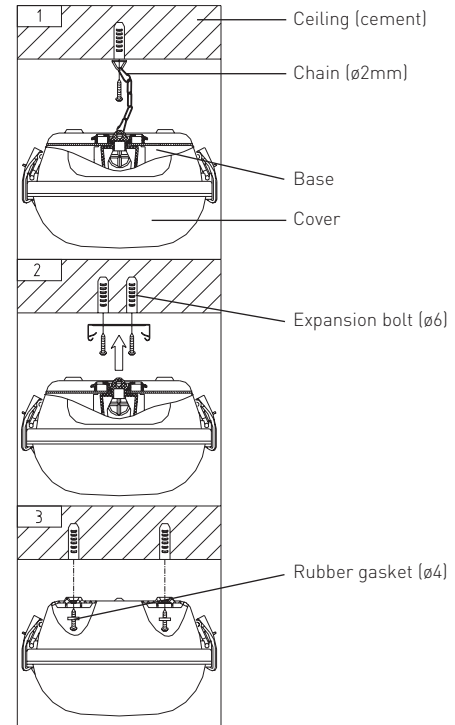


**WIRING**

L = Live or Phase – Brown or Red  
E = Earth – Green or Green/Yellow  
N = Neutral – Blue or Black

**MOUNTING**

**CAUTION** - Ensure the IP rating is maintained when mounting on to any surface or suspending.



**EMERGENCY FITTING**

Run Time:	3 hours
Battery pack type:	Lithium Ion 12-volt 4400mAH
Temperature range:	-20°C to +40°C
Emergency light output:	30%

**INSTALL PROCEDURE**

For emergency fitting follow the wiring diagram below.

**WIRING DIAGRAM**

SW A = Switched active/ Emergency controller phase

A = Live or Phase

E = Earth

N = Neutral

This fitting is designed for permanent connection.

24 hour charging period is required before the emergency feature can be used.

**ONCE THE WIRING HAS BEEN COMPLETED,  
CONNECT THE BATTERY PACK TO THE  
EMERGENCY CONTROLLER.**

**TEST PROCEDURE**

1. (A) Phase is off
2. (SW A) Phase is live
3. Remove the clear cover
4. The green LED indicator will be on
5. Press the TEST BUTTON to test the function on the light, the light will remain on while the TEST BUTTON is pressed and the green LED indicator will turn off while the TEST BUTTON is pressed

Complies with AS/NZS 60598.2.22

**SPECIFICATIONS**

Suitable for ceiling or wall mounting and suspending  
ABS Body & PC Cover, grey

Voltage: 220 to 240V a.c. 50Hz  
Wattage: 64W  
Lamp Type: HONGLI 2835  
Luminaire Class: Class 1  
Lumen Output: 5450 Lm  
Colour Temperature: 4000K  
Degree of Protection: IP65  
Suitable for indoor and outdoor applications  
LED Driver Approval No: TUV16078EA



**WIRING**  
L = Live or Phase – Brown or Red  
E = Earth – Green or Green/Yellow  
N = Neutral – Blue or Black

**DIMENSIONS**

CODE	LENGTH (mm)	WIDTH (mm)	HEIGHT (mm)	WEIGHT (kg)	No. of clips
VU5	1568	158	101	2.82	10

**SAFETY**

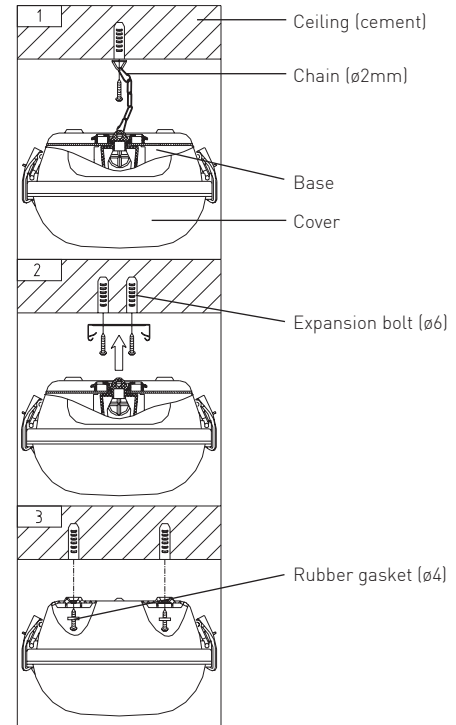
This product should be installed by a suitably qualified person in accordance with Australian and New Zealand Wiring rules. Always disconnect the power to the fitting before opening the cover. In the case of lamp failure, disconnect from mains supply and return to Vynco for service.

**WARRANTY**

This product is covered by the standard 3 year Vynco Warranty - proof of purchase is required. Please contact Vynco for details of returns procedure.  
NOTE: This product contains NO user serviceable parts.

**MOUNTING**

**CAUTION** - Ensure the IP rating is maintained when mounting on to any surface or suspending.



**SPECIFICATIONS**

Suitable for ceiling or wall mounting and suspending  
ABS Body & PC Cover, grey

Voltage: 220 to 240V a.c. 50Hz  
Wattage: 64W  
Lamp Type: HONGLI 2835  
Luminaire Class: Class 1  
Lumen Output: 5450 Lm  
Colour Temperature: 4000K  
Degree of Protection: IP65  
Suitable for indoor and outdoor applications  
LED Driver Approval No: TUV16078EA

**WIRING**

L = Live or Phase – Brown or Red  
E = Earth – Green or Green/Yellow  
N = Neutral – Blue or Black

**DIMENSIONS**

CODE	LENGTH (mm)	WIDTH (mm)	HEIGHT (mm)	WEIGHT (kg)	No. of clips
VU5E	1568	158	101	2.82	10

**SAFETY**

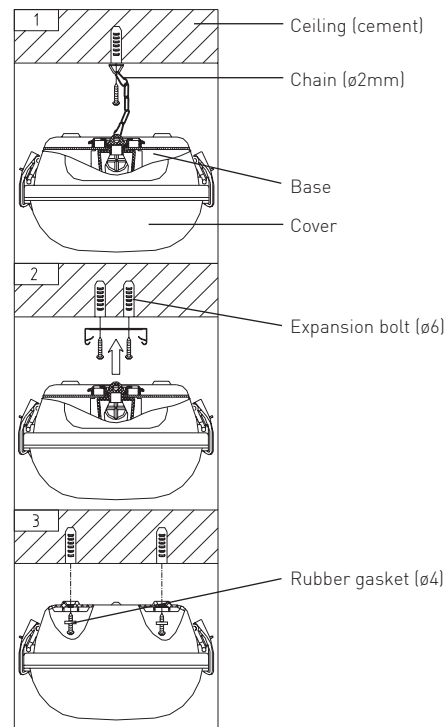
This product should be installed by a suitably qualified person in accordance with Australian and New Zealand Wiring rules. Always disconnect the power to the fitting before opening the cover. In the case of lamp failure, disconnect from mains supply and return to Vynco for service.

**WARRANTY**

This product is covered by the standard 3 year Vynco Warranty - proof of purchase is required. Please contact Vynco for details of returns procedure.  
NOTE: This product contains NO user serviceable parts.

**MOUNTING**

**CAUTION** - Ensure the IP rating is maintained when mounting on to any surface or suspending.



**EMERGENCY FITTING**

Run Time:	3 hours
Battery pack type:	Lithium Ion 12-volt 4400mAH
Temperature range:	-20°C to +40°C
Emergency light output:	30%

**INSTALL PROCEDURE**

For emergency fitting follow the wiring diagram below.

**WIRING DIAGRAM**

SW A = Switched active/ Emergency controller phase

A = Live or Phase

E = Earth

N = Neutral

This fitting is designed for permanent connection.

24 hour charging period is required before the emergency feature can be used.

**ONCE THE WIRING HAS BEEN COMPLETED,  
CONNECT THE BATTERY PACK TO THE  
EMERGENCY CONTROLLER.**

**TEST PROCEDURE**

1. (A) Phase is off
2. (SW A) Phase is live
3. Remove the clear cover
4. The green LED indicator will be on
5. Press the TEST BUTTON to test the function on the light, the light will remain on while the TEST BUTTON is pressed and the green LED indicator will turn off while the TEST BUTTON is pressed

Complies with AS/NZS 60598.2.22

**SPECIFICATIONS**

Suitable for ceiling or wall mounting and suspending  
ABS Body & PC Cover, grey

Voltage: 220 to 240V a.c. 50Hz  
Wattage: 64W  
Lamp Type: HONGLI 2835  
Luminaire Class: Class 1  
Lumen Output: 5450 Lm  
Colour Temperature: 6500K  
Degree of Protection: IP65  
Suitable for indoor and outdoor applications  
LED Driver Approval No: TUV16078EA



**WIRING**  
L = Live or Phase – Brown or Red  
E = Earth – Green or Green/Yellow  
N = Neutral – Blue or Black

**DIMENSIONS**

CODE	LENGTH (mm)	WIDTH (mm)	HEIGHT (mm)	WEIGHT (kg)	No. of clips
VU56	1568	158	101	2.82	10

**SAFETY**

This product should be installed by a suitably qualified person in accordance with Australian and New Zealand Wiring rules. Always disconnect the power to the fitting before opening the cover. In the case of lamp failure, disconnect from mains supply and return to Vynco for service.

**WARRANTY**

This product is covered by the standard 3 year Vynco Warranty - proof of purchase is required. Please contact Vynco for details of returns procedure.  
NOTE: This product contains NO user serviceable parts.

**MOUNTING**

**CAUTION** - Ensure the IP rating is maintained when mounting on to any surface or suspending.

