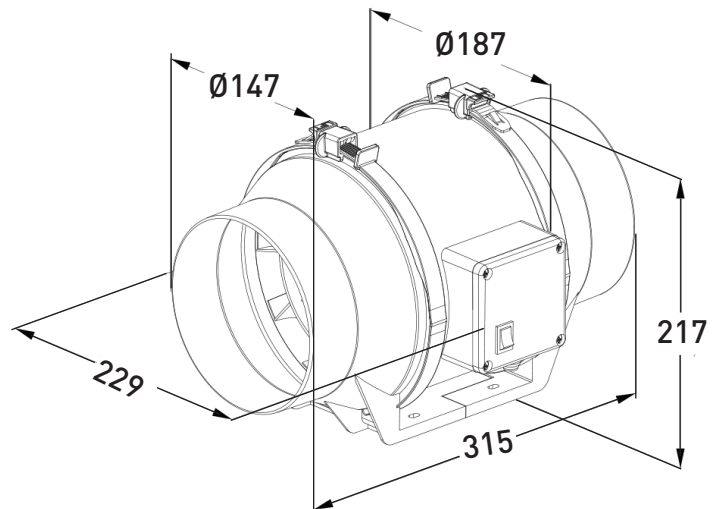


VAFM1501 MIXED FLOW INLINE FAN



PRODUCT SPECIFICATION

MECHANICAL

Model No.	VAFM1501
Dimension	315*229*217 mm
Motor type	Outer rotor motor
Speed Control type	High speed; Low speed
Net weight	2400g
No. of blade	10
Rotating Direction	CCW

ELECTRICAL CHARACTERISTICS

Rated voltage	220V/50Hz
Rated current (H/L speed)	0.22/0.19A
Rated input power (H/L speed)	54/44W±10%

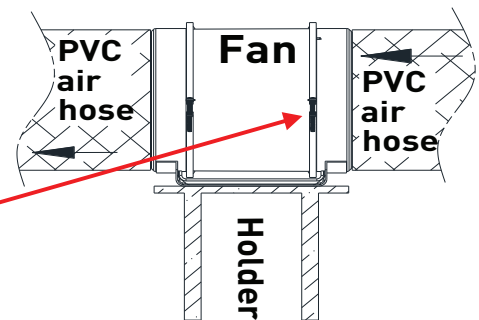
EFFICIENCY

Rated speed (range) (H/L speed)	2550/1850RPM±10%
Maximum air flow (H/L speed)	530/410m ³ /h (312/241CFM)
Maximum static air pressure (H/L speed)	300/240Pa (31/25mmAq)

CHARACTERISTICS

Operating voltage range	220V/50Hz
Starting voltage	175V/50Hz
Operating temperature	-20 to +80°C
Environment humidity	10%(RH)45 for 24 hours & 98% (RH)
Mean time between failures (MTBF)	50000H
Temperature protection	Yes
Locked rotor protection	N/A
Soft start	N/A
Dielectric strength	1500VAC/60Hz 1min \geq 5mA
IP rating	IP44
Acoustic sound level (H/L speed)	55/43db

Acoustic sound level test descriptions at rated voltage in sound proof room.
Background noise:14.9dBA



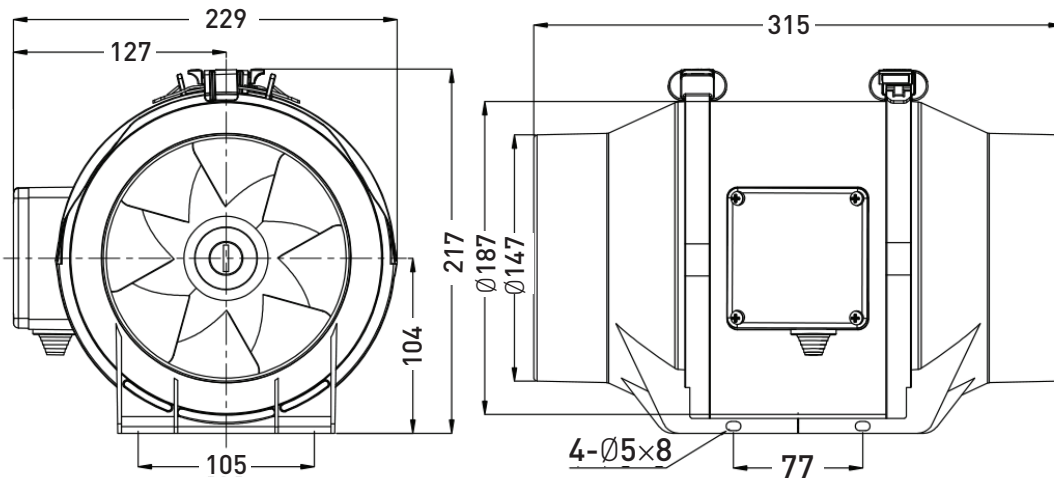
The microphone sensor is aimed at the side of the center of the fan, 3m.

SAFETY	SAA	CEE	UL
	V	V	

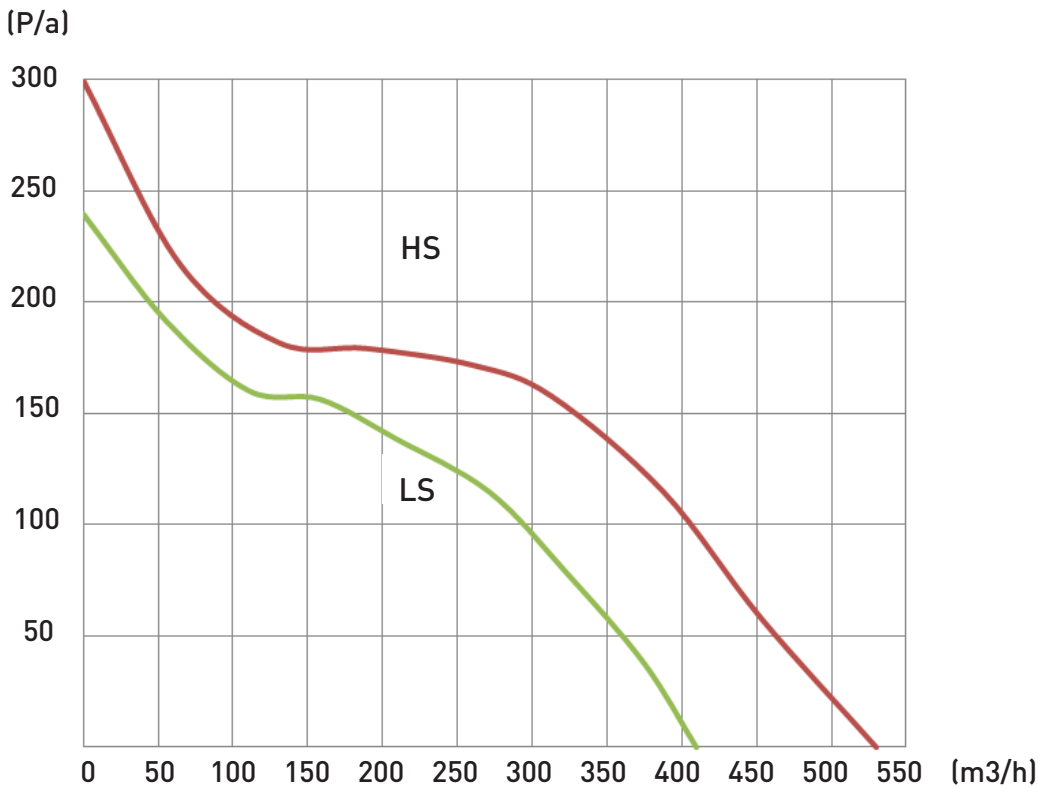
MAIN MATERIALS / PARTS SPECIFICATION

Plastic material, blade, housing	PP / ABS
Bearing type	Ball bearing
Lead wire and plug	Australian Standard
Connector	No terminal

OUTLINE DIMENSION



PERFORMANCE CHART



Christchurch Office

388-396 Tuam Street, Phillipstown, Christchurch 8011
 PO Box 9022, Tower Junction, Christchurch 8149
 P (+64) 3 379 9283 F (+64) 3 379 6838
 E sales@vynco.co.nz

Auckland Office

9 Levene Place, Mt Wellington, Auckland 1061
 PO Box 12 249, Penrose, Auckland 1642
 P (+64) 9 525 6051 F (+64) 9 525 5799
 E sales@vynco.co.nz