



## DEEP REBATE SERIES

# FB4SDR70 / FLUSH SHALLOW FLOORBOX WITH STAINLESS STEEL LID

### FEATURES

- Large capacity cable exit flap, with retracting lifting handle
- Soft close lid with option to fit cam lock
- 304 Stainless steel lid

### FB4SDR70

Capacity (Power)	4 x Auto Switched Socket Outlets
Capacity (Data)	6 x Data Mounts
Suitable (Data)	Cat 6A Cabling
Box Size (L x W x D)	240 x 240 x 93mm
Box Material	Powder Coated Steel
Supplied With	1 x Temporary Construction Lid
Lid Size (L x W x D)	250 x 250 x 38mm
Lid Material	304 Stainless Steel
Lid Style	Flush, Square Edged, Rebated (20mm Deep)

# FB4SDR70 / FLUSH SHALLOW FLOORBOX WITH STAINLESS STEEL LID

FB4SDR70 stainless rebated flush lid and frame assembly with cable exit, rubber dust seal and recessed lifting handle

**OVERALL LID SIZE**  
250 x 250 x 38mm

**RECESS SIZE**  
20mm

Outlet mounting bracket with provision for 6 x Data Outlets



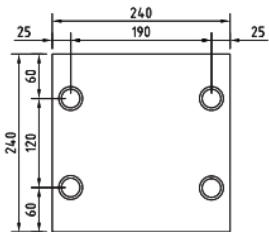
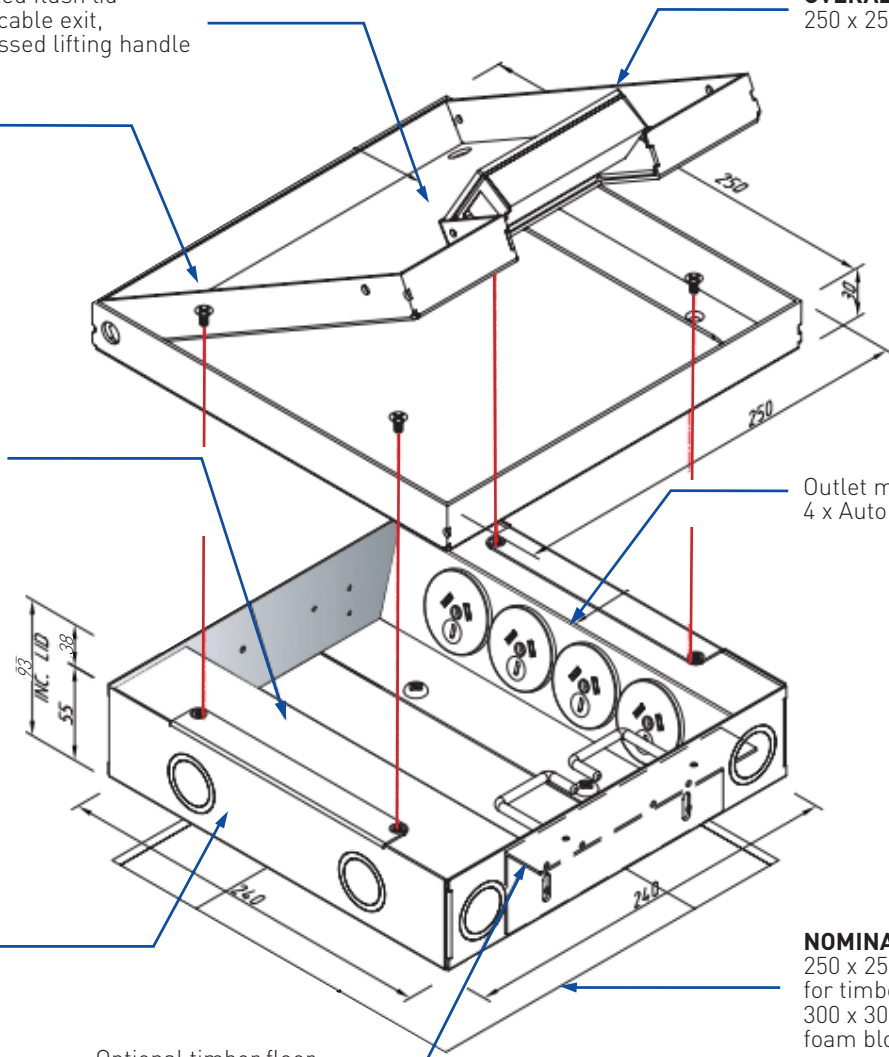
Data Plate View

Outlet mounting bracket to suit 4 x Auto Switch Socket Outlets

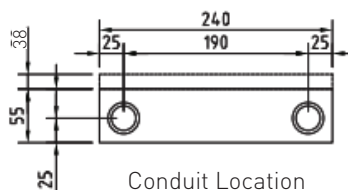
**STEEL BOX BODY**  
240 x 240 x 93mm  
12 x Ø25 / Ø32mm combination conduit knockouts

**NOMINAL RECESS SIZE**  
250 x 250 x 95mm for timber floor or 300 x 300 x 95mm foam blockout for concrete

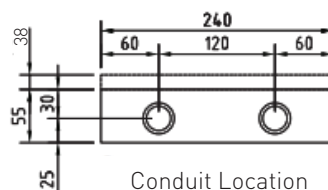
Optional timber floor fixing brackets  
Code: FBTFB



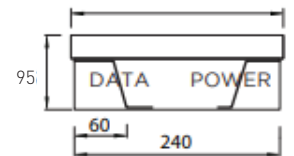
Conduit Location Box Base



Conduit Location Hinge & Exit Sides



Conduit Location Outlet Sides



Section Through Box View