



FB4SR70 / FLUSH SHALLOW FLOORBOX WITH STAINLESS STEEL RECESSED LID

FEATURES

- Large capacity cable exit flap, with retracting lifting handle
- “Cable Shield” frame assembly
- Soft close lid with option to fit cam lock
- Cable retainer for easy cable management

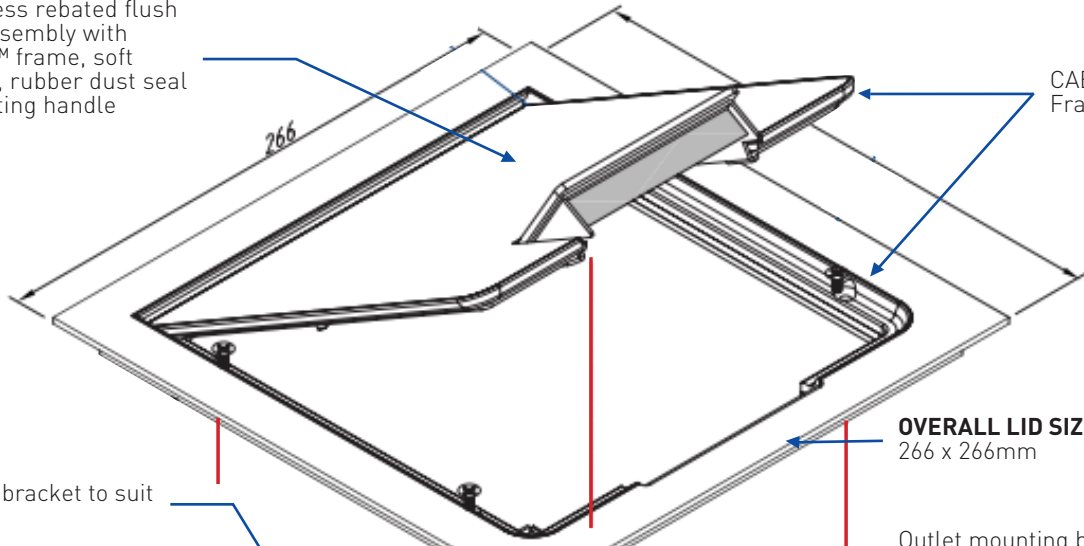
FB4SR70

Capacity (Power)	4 x Auto Switched Socket Outlets
Capacity (Data)	6 x Data Mounts
Suitable (Data)	Cat 6A Cabling
Box Size (L x W x D)	240 x 240 x 70mm
Box Material	Powder Coated Steel
Supplied With	1 x Temporary Construction Lid
Lid Size (L x W)	266 x 266mm
Lid Material	304 Stainless Steel
Lid Style	Surface, Bevelled Edge, Rebated (6mm Deep)

FB4SR70 / FLUSH SHALLOW FLOORBOX WITH STAINLESS STEEL RECESSED LID

FB4SR70 Stainless rebated flush lid and frame assembly with CABLE SHIELD™ frame, soft close, cable exit, rubber dust seal and recessed lifting handle

CABLE SHIELD™ Frame assembly



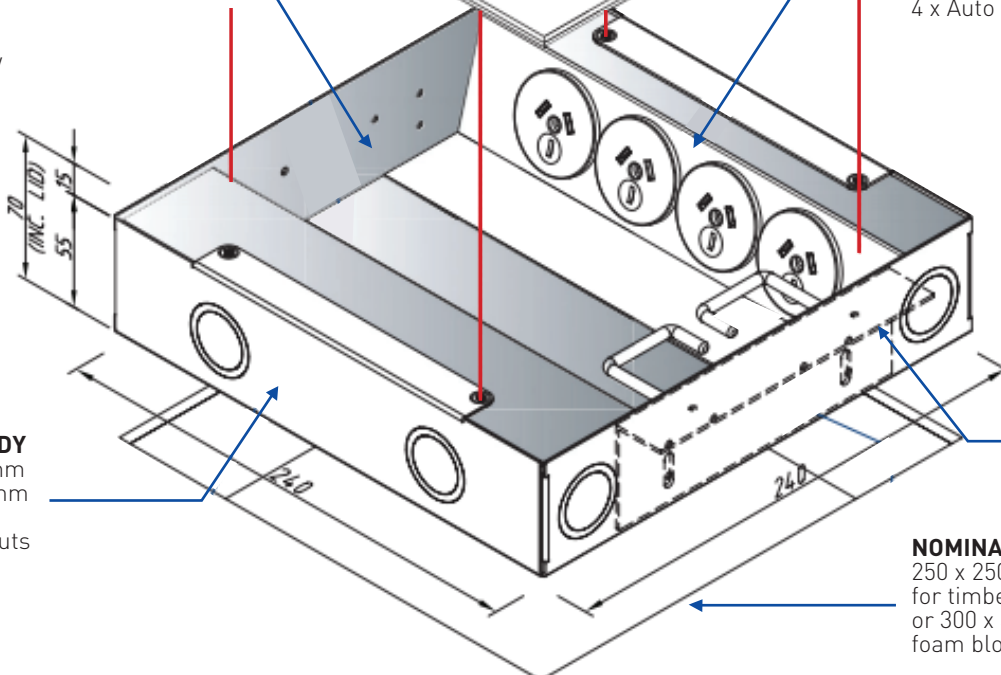
OVERALL LID SIZE
266 x 266mm

Outlet mounting bracket to suit 6 x Data Outlets



Data Plate View

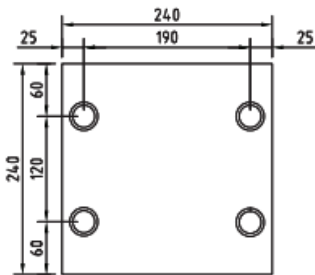
Outlet mounting bracket to suit 4 x Auto Switch Socket Outlets



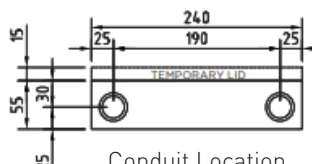
STEEL BOX BODY
240 x 240 x 70mm
12 x Ø25 / Ø32mm
combination
conduit knockouts

Optional timber floor
fixing brackets
Code: FBTFB

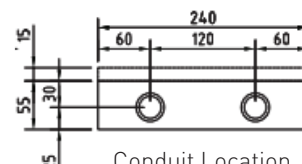
NOMINAL RECESS SIZE
250 x 250 x 80mm
for timber floor
or 300 x 300 x 80mm
foam blockout for concrete



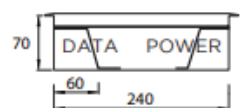
Conduit Location
Box Base



Conduit Location
Hinge & Exit Sides



Conduit Location
Outlet Sides



Section Through
Box View