

VYNCO

MAGNUM ARCHITECTURAL EXTERNAL GRILLE + FAN



An exterior mounted extract fan, ideal for bathrooms, laundries and drying rooms.
Suitable for soffit or side wall mounting.

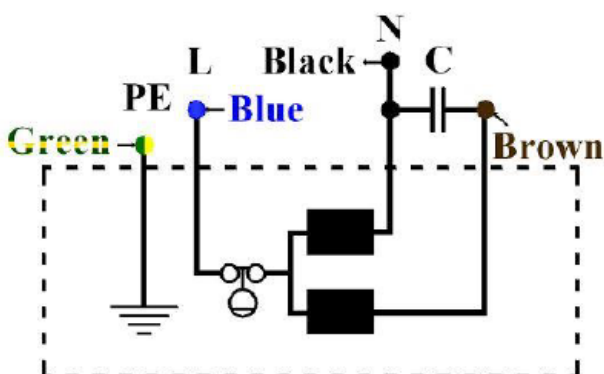
DIMENSIONS:

- Body dimensions 274mm x 274mm x 75mm (overall exterior depth)
- Powder coated steel construction
- Options include black and white powdercoated finish grille or 316 stainless steel

SPECIFICATIONS

- VEF1 - Exterior Extractor Fan with Stainless Steel Grille
- VEF1W - Exterior Extractor Fan with White Powdercoated Grille
- VEF1B - Exterior Extractor Fan with Black Powdercoated Grille
- Main components made from powdercoated steel construction
- Backward curve centrifugal fan, 240Vac, 60W
- Performance 165Lts/sec, rated at 50,000 hours
- Suitable for wall or soffit mounting
- Temperature rating -10 degrees celsius to 60 degrees celsius
- IPX4 rated

WIRING DIAGRAM



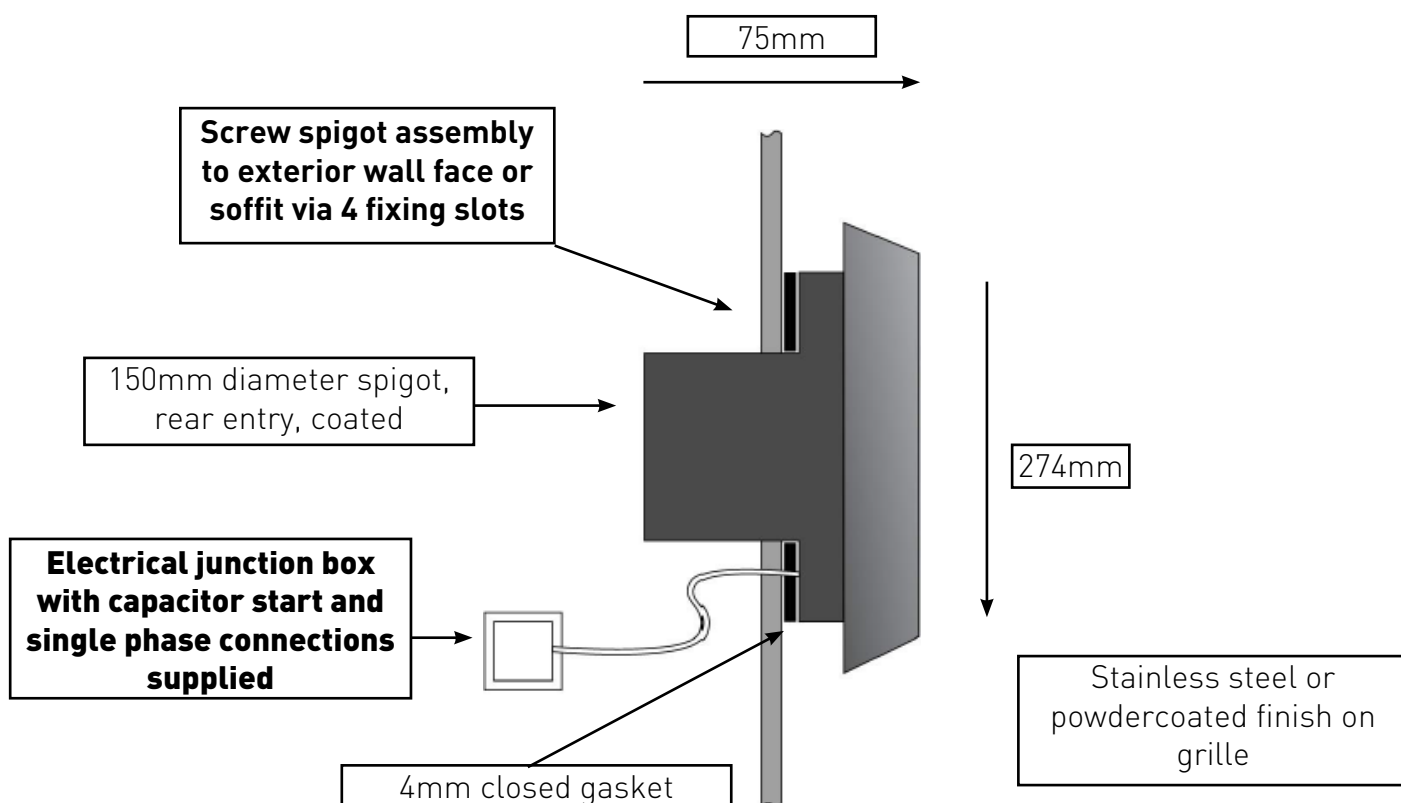
SAFETY WARNING

- Appliance not intended for use by persons (including children) with reduced physical, sensory or mental capabilities, or lack of experience and knowledge, unless they have been given supervision or instruction concerning use of appliance by person responsible for their safety.
- Children should be supervised to ensure they do not play with appliance.
- Ensure that fan is switched off from supply mains before moving the guard.
- Precautions must be taken to avoid back flow of gasses into room from open flue of gas or other fuel burning appliances (for duct and partition fans).
- If supply cord is damaged, it must be replaced by the manufacturer, its service agent or similarly qualified persons in order to avoid a hazard.

INSTALLATION:

- Loosen the 4 screws holding on the cover and remove the cover by sliding it off the fan base assembly
- Wire to the terminal box using the wiring diagram provided
- Connect the ducting to the spigot
- With the cover removed and ducting connected mount fan base assembly to the wall or soffit
- Reinstall cover to the fan base assembly

View the “Dimensions and Mounting details” diagram below for more information.



VYNCO INDUSTRIES (NZ) LIMITED

South Island Office

388-396 Tuam Street, Phillipstown, Christchurch, 8011
PO Box 9022, Tower Junction, Christchurch 8149
New Zealand
P +64 3 379 9283 **F** +64 3 379 6838
E chchsales@vynco.co.nz
www.vynco.co.nz

Northern Region/Auckland Office

9 Levene Place, Mount Wellington, Auckland, 1060
PO Box 12 249, Penrose, Auckland 1061
New Zealand
P +64 9 525 6051 **F** +64 9 525 5799
E vyncoack@vynco.co.nz