



FB6SR / FLUSH DEEP FLOORBOX WITH STAINLESS STEEL REBATED LID

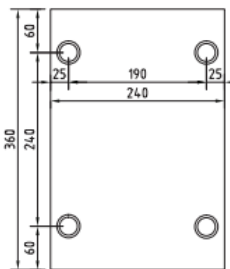
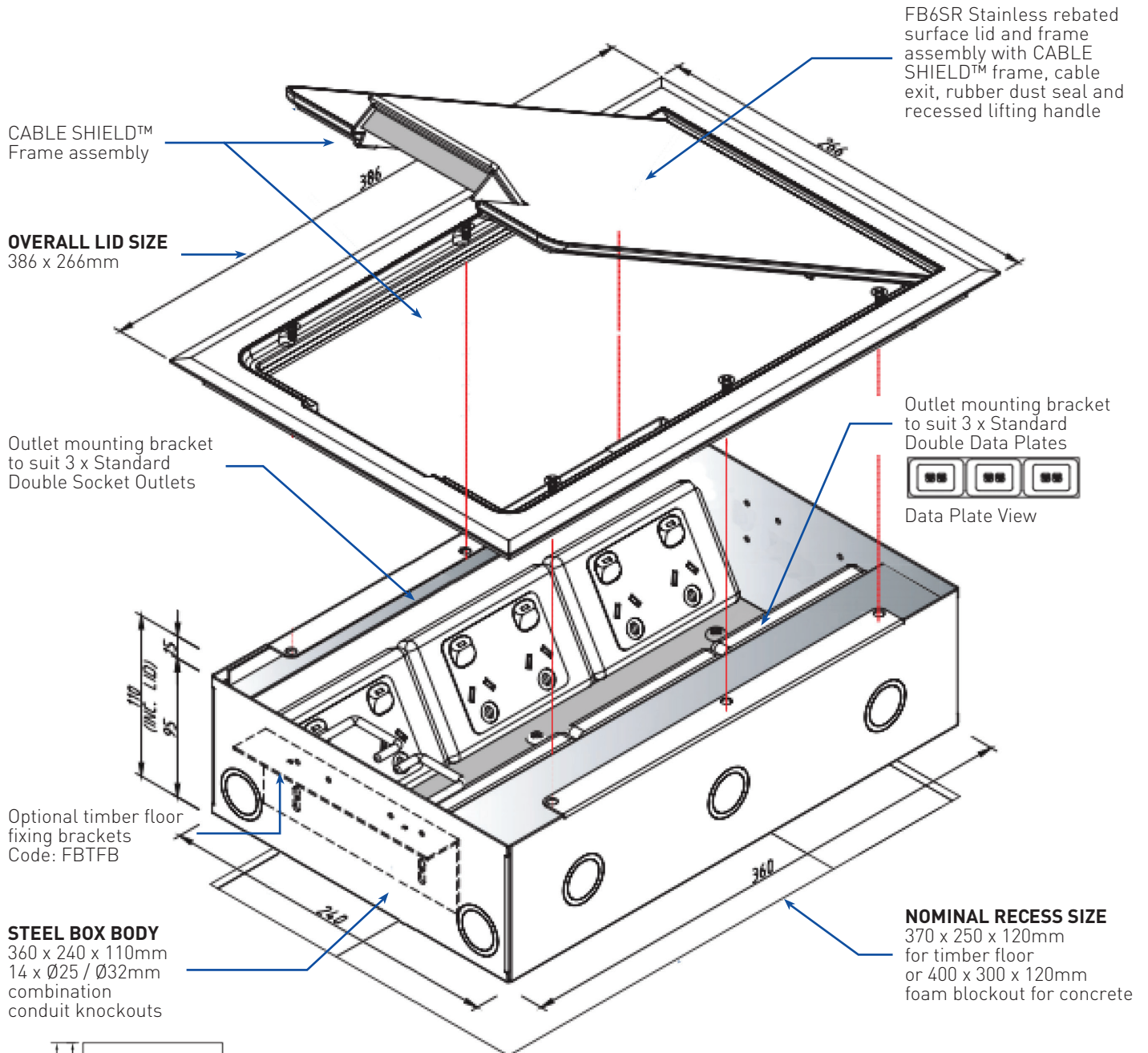
FEATURES

- Large capacity cable exit flap, with retracting lifting handle
- “Cable Shield” frame assembly
- Soft close lid with option to fit cam lock
- Cable retainer for easy cable management

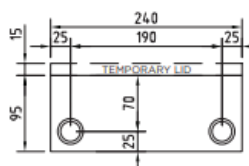
FB6SR

Capacity (Power)	3 x Standard Double Socket Outlet
Capacity (Data)	3 x Standard Double Data Plates
Suitable (Data)	Cat 6A Cabling
Box Size (L x W x D)	360 x 240 x 110mm
Box Material	Powder Coated Steel
Supplied With	1 x Temporary Construction Lid
Lid Size (L x W)	386 x 266mm
Lid Material	Stainless Steel
Lid Style	Surface, Bevelled Edge, Rebated (6mm Deep)

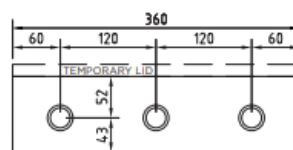
FB6SR / FLUSH DEEP FLOORBOX WITH STAINLESS STEEL REBATED LID



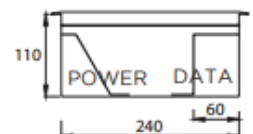
Conduit Location Box Base



Conduit Location Hinge & Exit Sides



Conduit Location Outlet Sides



Section Through Box View