

FFOB-250S FLOOR BOX

The deep rebate flush lid can accept a wider range of floor coverings, such as timber, tile or carpet, than most conventional models. Two cord outlet ports fold into the box to allow cables to exit when in use.

STAINLESS STEEL FLUSH LID

14MM REBATE LID FOR FLOORING

STRAIGHT EDGE FOR TILE/TIMBER:
Fits flush with flooring finish



-LID SIZE: 245 x 245 mm

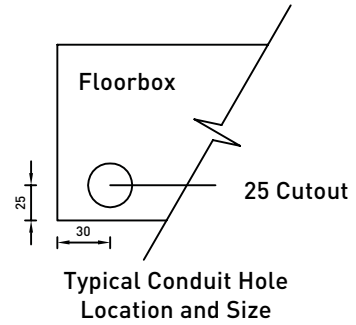
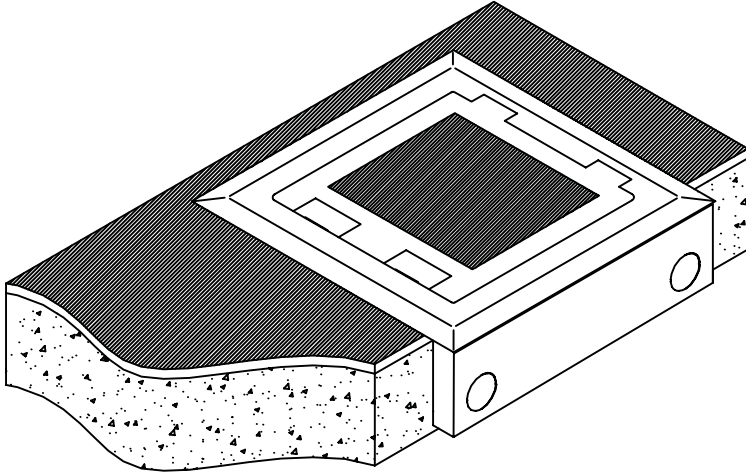
-BOX BODY SIZE: 228 x 230 x 110 mm

-SUPPLIED WITH:

1 x 4-Gang Power Outlet

2 x Standard 2-Gang Plate Only

FFOB-250S ASSEMBLY



FEATURES:

Stainless Steel 5mm Hinged Cover screw fixes to steel box body. Straight Edge for butt join with tile.

14 mm deep rebate for timber/tile/carpet infill.

2 x Cord outlet flaps fold down when in use to allow cords to exit with the main cover closed.

Steel box body (228 x 230 x 110 mm deep).
8 No. 25 mm diameter conduit knockouts (2 on each side).
Box body can be cast directly into concrete or into a preformed recess (250 x 250 x 130 mm deep).

Recess Size: **Nom** 250 x 250 x 130 mm deep.

