

### FB4P70 / 7MM REBATED POLYIMIDE SHALLOW FLOOR BOX



#### FEATURES

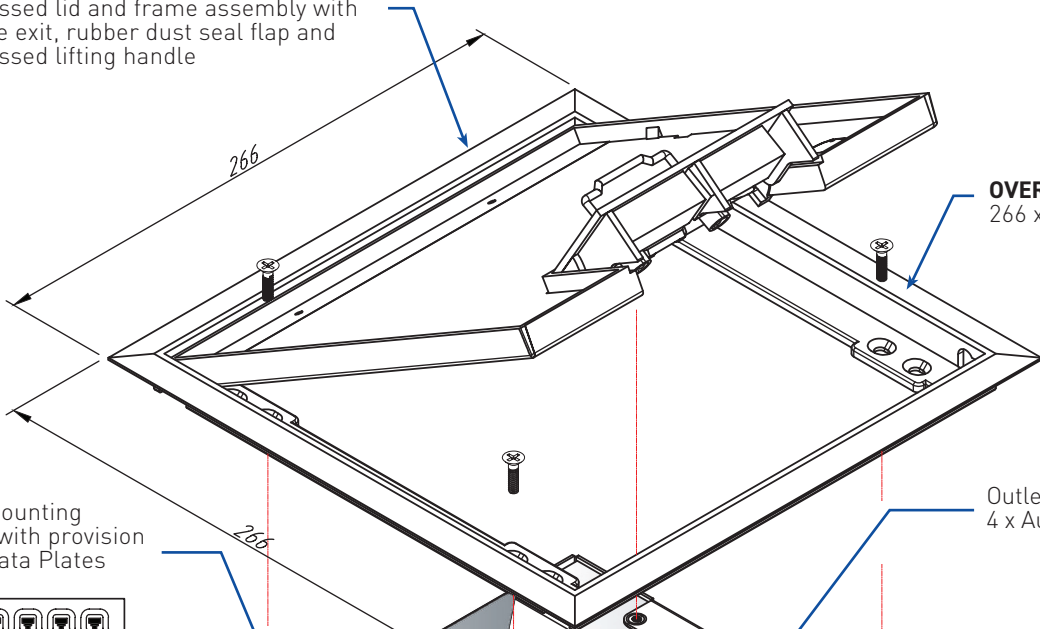
- Compact and robust shallow floor box, with reversible low profile lid
- Providing power and data to open plan areas where shallow boxes are required
- Large capacity cable exit flap with retracting handle
- Modular box body and lid design, interchangeable with stainless and other lids in the floor box range

#### FB4P70

Capacity (Data)	6 x Data Mounts
Capacity (Power)	4 x Auto Switched Socket Outlets
Box Size (L x W x D)	240 x 240 x 70mm
Box Shape	Square
Box Type	Commander
Lid Size (L x W)	266 x 266mm
Lid Finish	Grey
Lid Style	Surface, Bevelled Edge, Rebated (7mm)
Lid Material	Polymide

# FB4P70 / 7MM REBATED POLYIMIDE SHALLOW FLOOR BOX

FB4P moulded plastic (polyamide) recessed lid and frame assembly with cable exit, rubber dust seal flap and recessed lifting handle



**OVERALL LID SIZE**  
266 x 266mm

Outlet mounting bracket with provision for 6 x Data Plates

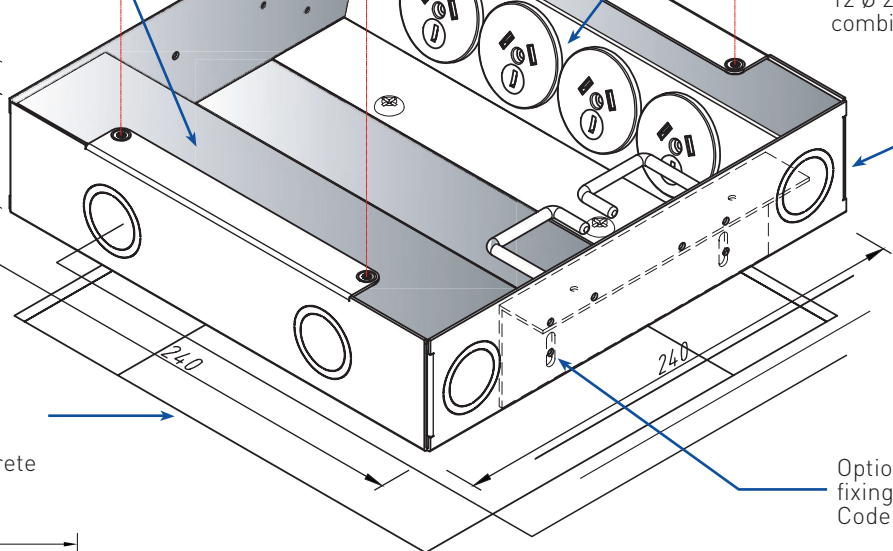
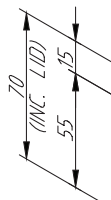


Data Plate View

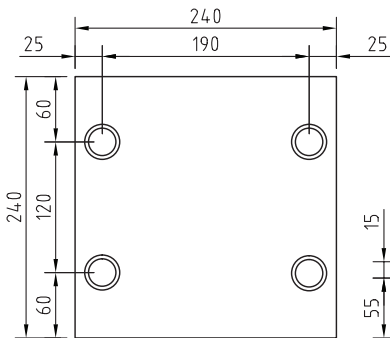
Outlet mounting bracket with 4 x Auto Switch Socket Outlets

**STEEL BOX BODY**  
240 x 240 x 70mm deep  
12 Ø 25/ Ø 32mm combination conduit knockouts

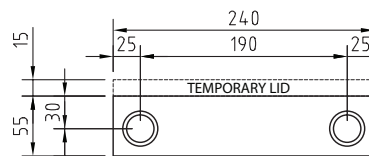
**NOMINAL RECESS SIZE**  
250 x 250 x 80mm deep for timber floor  
or 300 x 300 x 80mm foam blockout for concrete



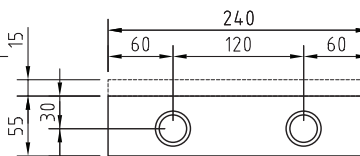
Optional timber floor fixing brackets  
Code: FBTFB



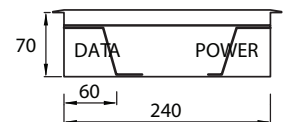
Conduit Location Box Base



Conduit Location Hinge & Exit Sides



Conduit Location Outlet Sides



Section Through Box View