

FB2P70 / 7MM REBATED POLYIMIDE SHALLOW FLOOR BOX



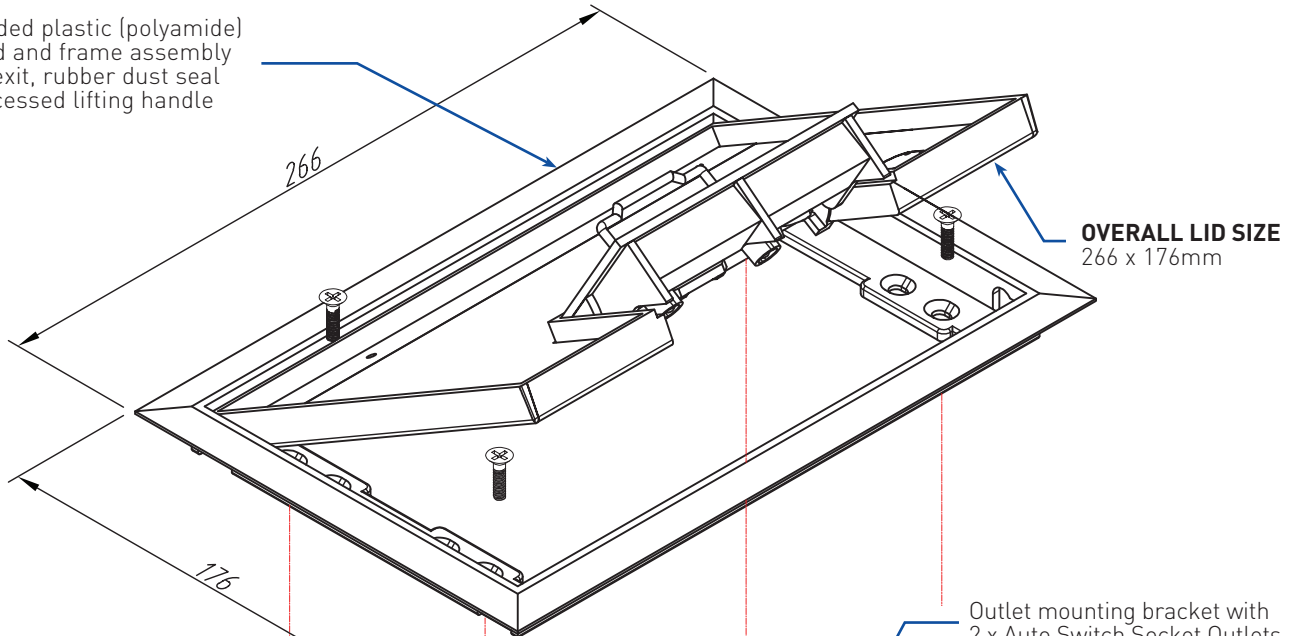
FEATURES

- Compact and robust shallow floor box with reversible profile lid
- Providing power and data to open plan areas where shallow boxes are required
- Large capacity cable exit flap with retracting handle
- Modular box body and lid design, interchangeable with stainless and other lids in the floor box range.

FB2P70	
Capacity (Power)	2 x Auto Switched Socket Outlets
Capacity (Data)	3 x Data Mounts
Box Size	240 x 150 x 70mm
Lid Size (L x W)	266 x 176mm
Lid Finish	Grey
Lid Material	Polymide
Lid Style	Surface, Bevelled Edge, Rebated (7mm)

FB2P70 / 7MM REBATED POLYIMIDE SHALLOW FLOOR BOX

FB2P moulded plastic (polyamide) recessed lid and frame assembly with cable exit, rubber dust seal flap and recessed lifting handle



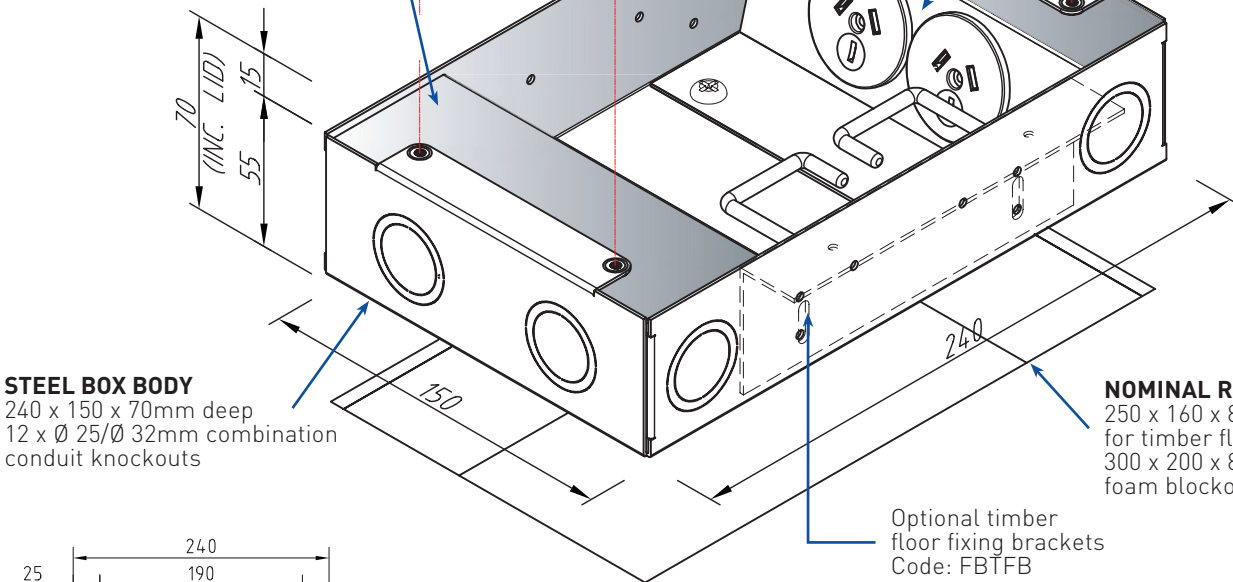
OVERALL LID SIZE
266 x 176mm

Outlet mounting bracket to suit 3 x Standard Data Outlets



Data Plate View

Outlet mounting bracket with 2 x Auto Switch Socket Outlets



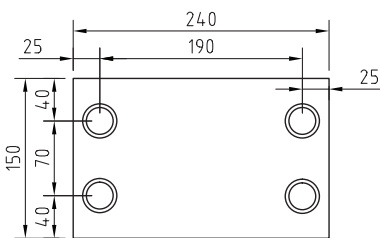
STEEL BOX BODY

240 x 150 x 70mm deep
12 x Ø 25/Ø 32mm combination conduit knockouts

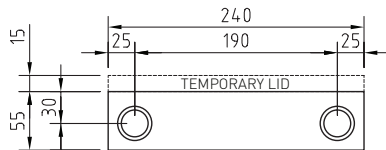
NOMINAL RECESS SIZE

250 x 160 x 80mm deep for timber floor or 300 x 200 x 80mm foam breakout for concrete

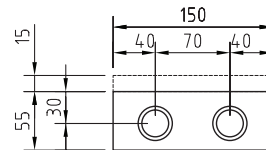
Optional timber floor fixing brackets
Code: FBTFB



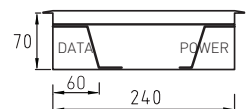
Conduit Location Box Base



Conduit Location Hinge & Exit Sides



Conduit Location Outlet Sides



Section Through Box View